

Cobra 350

Small SCARA robot for precision machining, assembly, and material handling

- Ethernet capability to control the robot through the familiar programming language (IEC 61131-3) of Machine Automation Controller NJ/NX Series
- High repeatability suitable for precision assembly
- High payload for screw-driving tools
- The separate amplifier with a built-in controller minimizes the robot footprint
- Reach 350 mm
- Maximum payload 5 kg
- Weight 20 kg
- Protection IP20
- Cleanroom class 10 option



Specifications

Product name		Cobra
	Size	350
Model		1720□-13000
Number of axes		4
Mounting		table/floor
Reach		350 mm
Maximum Payload		5 kg
Repeatability	XY	±0.015 mm
	Z	±0.01 mm
	Theta	±0.005°
Joint Range	Joint 1	±155°
	Joint 2	±145°
	Joint 3	200 mm
	Joint 4	±360°
Joint Speeds	Joint 1	720°/s
	Joint 2	720°/s
	Joint 3	2000 mm/s
	Joint 4	2400°/s
Power Requirements		24 VDC: 6 A 200 to 240 VAC: 10 A, single-phase
Protection		IP20
Environment Requirements	Ambient Temperature	5 to 40°C
	Humidity Range	5 to 90% (non-condensing)
Weight		20 kg
Basic configuration	Controller	eAIB
	On-board I/O (Input/Output)	12/8
	Conveyor tracking input	2
	RS-232C serial communications port	1
	Programming environment	ACE, PackXpert, PLC
	ACE Sight	Yes
	ePLC Connect	Yes
	ePLC I/O	Yes
Connectable controller *1		eMotionBlox-40R, SmartController EX, NJ/NX Series *2

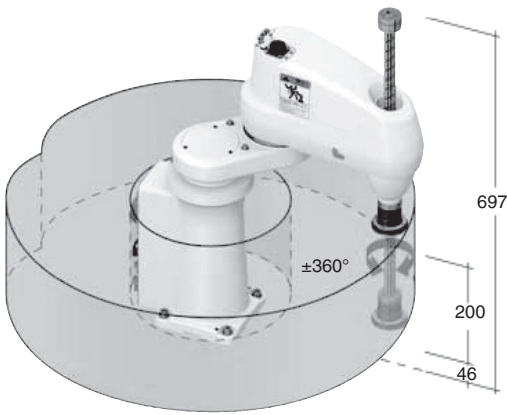
*1. Choose a controller to suit your application.

*2. The robot version 2.3.C is required to connect with the NX/NJ Series.

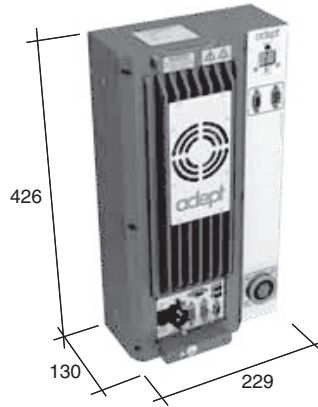
Dimensions

(Unit: mm)

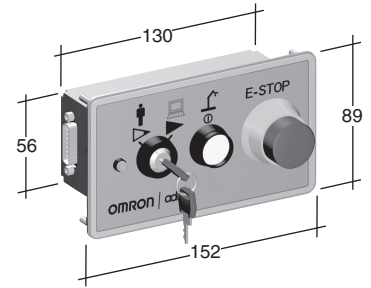
Cobra 350



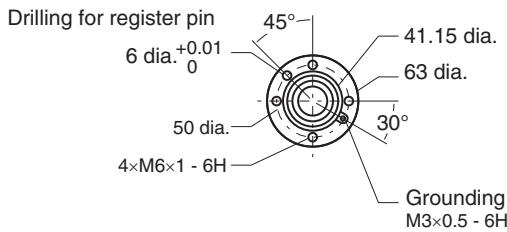
eMotion Blox-40R



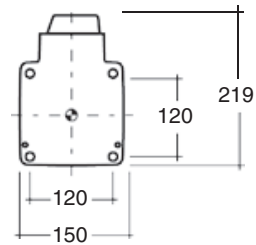
Front panel



Flange



Footprint



Robot Parts Code and Bundled Accessories

Type	Cobra 350	Cobra 350 Add-On
Cobra 350	17201-13000	17203-13000
Overview	Robot + eMotionBlox amplifier with fully integrated controls	Robot + eMotionBlox + required connection cables
Purpose	Typical for use in single robot system	Typically added to systems with an existing SmartController EX to create multi-robot systems
Bundled Accessories	<ul style="list-style-type: none"> XSYS cable with jumpers, 2m/6ft (13323-000) Front panel kit (90356-10358) 	<ul style="list-style-type: none"> XSYS cable with jumpers, 2m/6ft (13323-000) XSYS cable, 5m/15 ft (11585-000) DB9 splitter (00411-000) 1394 latch cable, 5m/15 ft, 13632-045) eV+ license to connect to controller (14529-103)

Note: OMRON also provides other types of model. Ask your OMRON sales representative for details.