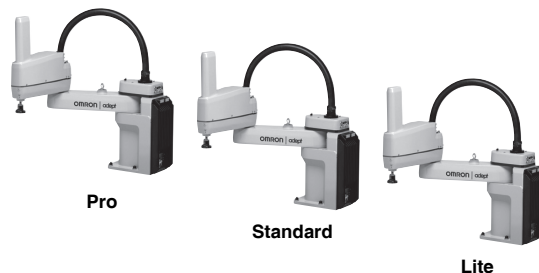


eCobra 800 Lite/Standard/Pro

Large SCARA robot for precision machining, assembly, and material handling



- Ethernet capability to control the robot through the familiar programming language (IEC 61131-3) of Machine Automation Controller NJ/NX Series
- Reach is extended to 800 mm without compromising repeatability
- High payload for screw-driving tools
- The amplifier and controller built into the robot reduces the number of cables
- Choose the right robot for you application from three different types
- Reach 800 mm
- Maximum payload 5.5 kg
- Weight 43 kg
- Protection IP20 (IP65 option)
- Cleanroom class 10 option

Specifications

Product name		eCobra		
		800		
Size		800 Lite	800 Standard	800 Pro
Type				
Model		17010-18000	1711□-18000	1721□-18000
Number of axes		4	4	4
Mounting		table/floor		
Reach		800 mm		
Maximum Payload		5.5 kg		
Repeatability	XY	±0.017 mm		
	Z	±0.003 mm		
	Theta	±0.019°		
Joint Range	Joint 1	±105°		
	Joint 2	±157.5°		
	Joint 3	210 mm		
	Joint 4	±360°		
Inertia Moment (Max.)	Joint 4	450 kg-cm ²		
Joint Speeds	Joint 1	386°/s		
	Joint 2	720°/s		
	Joint 3	1100 mm/s		
	Joint 4	1200°/s		
Cycle times (Payload 2.0 kg)	Burst	0.73 s *1	0.62 s *1	0.44 s *1
	Sustained	0.73 s *1	0.62 s *1	0.54 s *1
Power Requirements		24 VDC: 6 A 200 to 240 VAC: 10 A, single-phase		
Protection		IP20 (IP65 option)		
Environment Requirements	Ambient Temperature	5 to 40°C		
	Humidity Range	5 to 90% (non-condensing)		
Weight		43 kg		
Basic configuration	Controller	eAIB		
	On-board I/O (Input/Output)	12/8, 4 Solenoid Output		
	Conveyor tracking input	No		2
	RS-232C serial communications port	No	1	
	Programming environment	ACE	ACE, PackXpert, PLC	
	ACE Sight	No *2	Yes	
	ePLC Connect	No	Yes	
Connectable controller *3		No	SmartController EX, NJ/NX Series *4	

*1. Adept cycle, in mm 25/305/25 (seconds, at 20°C ambient)

*2. The SmartVision MX cannot be used with the Lite type.

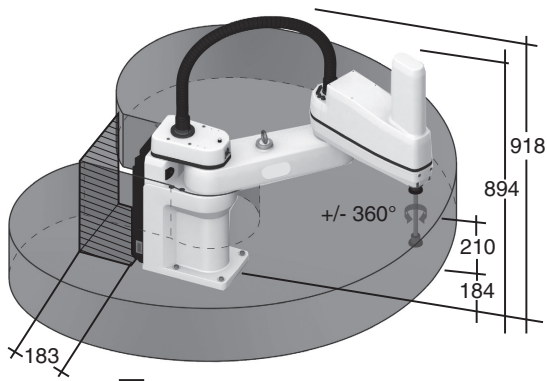
*3. Choose a controller to suit your application.

*4. The robot version 2.3.C is required to connect with the NX/NJ Series.

Dimensions

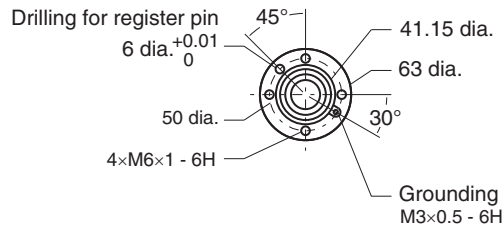
(Unit: mm)

eCobra 800

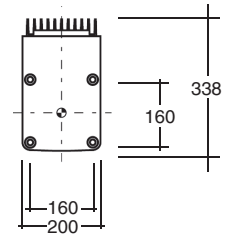


- Work Envelope: Radius 800 mm
Inner Limit: Radius 164 mm
Height: 210 mm
- Required clearance to open eAIB Chassis

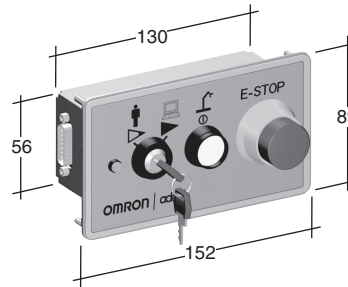
Flange



Footprint



Front panel



Robot Parts Code and Bundled Accessories

Type	eCobra	eCobra Add-On
eCobra 800 Lite	17010-18000	---
eCobra 800 Standard	17111-18000	17113-18000
eCobra 800 Pro	17211-18000	17213-18000
Overview	Robot + eAIB with fully integrated controls	Robot + eAIB with required connection cables
Purpose	Typical for use in single robot system	Typically added to systems with an existing SmartController EX to create multi-robot systems
Bundled Accessories	<ul style="list-style-type: none"> • XSYS cable with jumpers, 2m/6ft (13323-000) • Front panel kit (90356-10358) 	<ul style="list-style-type: none"> • XSYS cable with jumpers, 2m/6ft (13323-000) • XSYS cable, 5m/15 ft (11585-000) • DB9 splitter (00411-000) • 1394 latch cable, 5m/15 ft, 13632-045) • eV+ license to connect to controller (14529-103)

Note: OMRON also provides other types of model. Ask your OMRON sales representative for details.