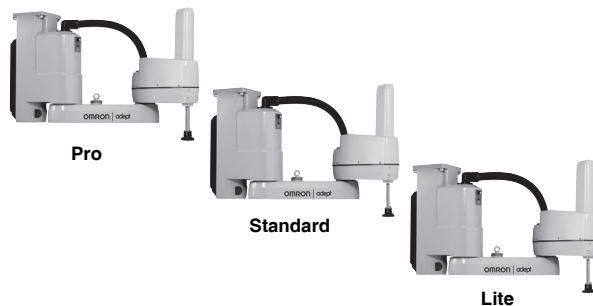


eCobra 800 Inverted Lite/Standard/Pro

Overhead-mount large SCARA robot for precision machining, assembly, and material handling



- Ethernet capability to control the robot through the familiar programming language (IEC 61131-3) of Machine Automation Controller NJ/NX Series
- Overhead-mounting configuration for efficient use of space
- High payload for screw-driving tools
- The amplifier and controller built into the robot reduces the number of cables
- Choose the right robot for you application from three different types
- Reach 800 mm
- Maximum payload 5.5 kg
- Weight 51 kg
- Protection IP20 (IP65 option)
- Cleanroom class 10 option

Specifications

Product name		eCobra Inverted		
		800		
Size		800 Lite	800 Standard	800 Pro
Type				
Model		17010-18400	1711□-18400	1721□-18400
Number of axes		4	4	4
Mounting		inverted		
Reach		800 mm		
Maximum Payload		5.5 kg		
Repeatability	XY	±0.017 mm		
	Z	±0.003 mm		
	Theta	±0.019°		
Joint Range	Joint 1	±23.5°		
	Joint 2	±156.5°		
	Joint 3	210 mm		
	Joint 4	±360°		
Inertia Moment (Max.)	Joint 4	450 kg-cm ²		
Joint Speeds	Joint 1	386°/s		
	Joint 2	720°/s		
	Joint 3	1100 mm/s		
	Joint 4	1200°/s		
Power Requirements		24 VDC: 6 A 230 VAC: 10 A		
Protection		IP20 (IP65 option)		
Environment Requirements	Ambient Temperature	5 to 40°C		
	Humidity Range	5 to 90% (non-condensing)		
Weight		51 kg		
Basic configuration	Controller	eAIB		
	On-board I/O (Input/Output)	12/8, 4 Solenoid Output		
	Conveyor tracking input	No	2	
	RS-232C serial communications port	No	1	
	Programming environment	ACE	ACE, PackXpert, PLC	
	ACE Sight	No *1	Yes	
	ePLC Connect	No	Yes	
Connectable controller *2		No	SmartController EX, NJ/NX Series *3	

*1. The SmartVision MX cannot be used with the Lite type.

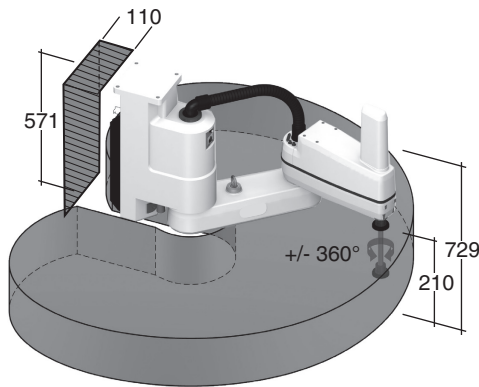
*2. Choose a controller to suit your application.

*3. The robot version 2.3.C is required to connect with the NX/NJ Series.

Dimensions

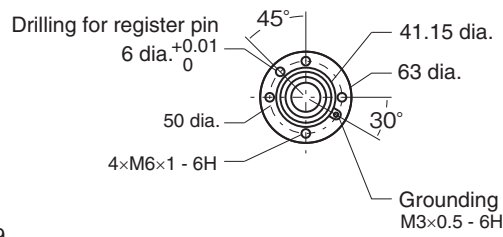
(Unit: mm)

eCobra Inverted 800

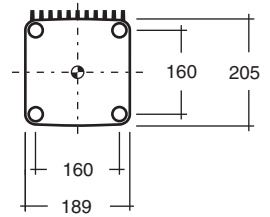


- Work Envelope: Radius 800 mm
Inner Limit: Radius 167 mm
Height: 210 mm
- Required clearance to open eAIB Chassis

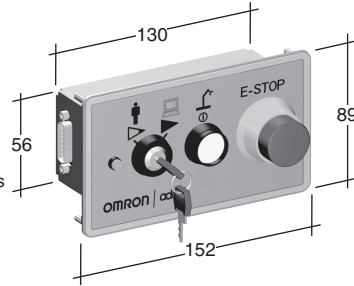
Flange



Footprint



Front panel



Robot Parts Code and Bundled Accessories

Type	eCobra	eCobra Add-On
eCobra 800 Inverted Lite	17010-18400	---
eCobra 800 Inverted Standard	17111-18400	17113-18400
eCobra 800 Inverted Pro	17211-18400	17213-18400
Overview	Robot + eAIB with fully integrated controls	Robot + eAIB with required connection cables
Purpose	Typical for use in single robot system	Typically added to systems with an existing SmartController EX to create multi-robot systems
Bundled Accessories	<ul style="list-style-type: none"> • XSYS cable with jumpers, 2m/6ft (13323-000) • Front panel kit (90356-10358) 	<ul style="list-style-type: none"> • XSYS cable with jumpers, 2m/6ft (13323-000) • XSYS cable, 5m/15 ft (11585-000) • DB9 splitter (00411-000) • 1394 latch cable, 5m/15 ft, 13632-045) • eV+ license to connect to controller (14529-103)

Note: OMRON also provides other types of model. Ask your OMRON sales representative for details.