

Hornet 565

Parallel robot ideal for use in the food and beverage, pharmaceutical, and healthcare industries



- Ethernet capability to control the robot through the familiar programming language (IEC 61131-3) of Machine Automation Controller NJ/NX Series
- The amplifier and controller built into the robot reduces the number of cables
- Tracks up to a conveyor speed of 1.4 m/s
- Designed with a high payload to support multi-hand (multi-picking)
- Supports fast Pick & Place on a fast conveyor
- Helps reduce mounting cost and robot vibration
- Maximum working diameter 1,130 mm
- Working height 425 mm
- Maximum payload 8 kg
- Weight 52 kg
- Protection IP65 *2

Specifications

Product name		Hornet	
		565	
Size		3 axes	4 axes
Type			
Model		1720□-45600	1720□-45604
Number of axes		3	4
Mounting		inverted	
Working volume	X,Y axis (stroke)	1130 mm	
	Z axis (stroke)	425 mm	
	theta axis (rotation angle)	-	±360°
Maximum Payload		8 kg	3 kg
Repeatability		±0.10 mm	
Cycle times, sustained (at 20°C ambient)	Payload 0.1 kg	0.32 s *1	0.35 s *1
	Payload 1.0 kg	0.34 s *1	0.37 s *1
	Payload 3.0 kg	0.38 s *1	0.42 s *1
Power Requirements		24 VDC: 6 A 200 to 240 VAC: 10 A, single-phase	
Protection	Base	IP65 *2	
	Platform	IP67	
Environment Requirements	Ambient Temperature	1 to 40°C	
	Humidity Range	5 to 90% (non-condensing)	
Weight		52 kg	
Basic configuration	Controller	eAIB	
	On-board I/O (Input/Output)	12/8	
	Conveyor tracking input	2	
	RS-232C serial communications port	1	
	Programming environment	ACE, PackXpert, PLC	
	ACE Sight	Yes	
	ePLC Connect	Yes	
Connectable controller *3		SmartController EX, NJ/NX Series *4	

*1. Adept cycle, in mm (25/305/25)

*2. IP67: arms and platform, IP65:underside of robot, IP20: topside of robot, IP65:topside of robot (with option cover)

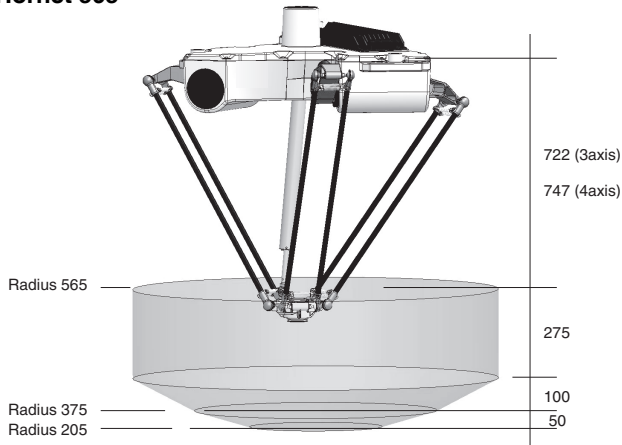
*3. Choose a controller to suit your application.

*4. The robot version 2.3.C is required to connect with the NX/NJ Series.

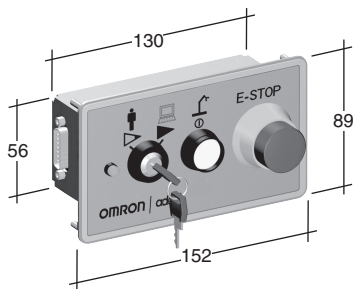
Dimensions

(Unit: mm)

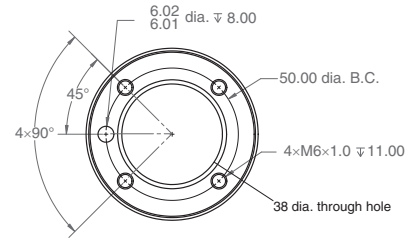
Hornet 565



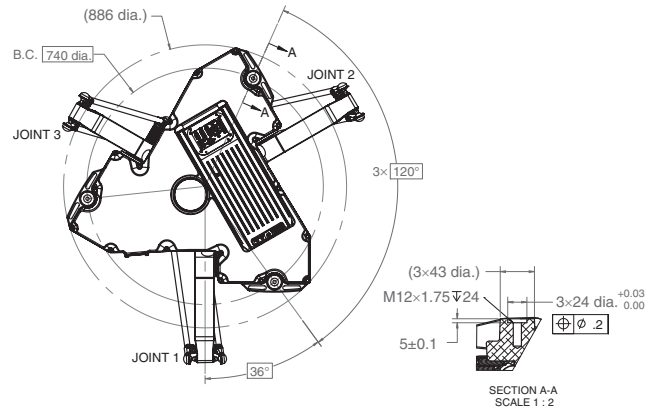
Front panel



Flange



Footprint



Robot Parts Code and Bundled Accessories

Type	Hornet	Hornet Add-On
Hornet 565 3Axis	17201-45600	17203-45600
Hornet 565 4Axis	17201-45604	17203-45604
Overview	Robot + eAIB with fully integrated controller	Robot + eAIB required connection cables
Purpose	Typical for use in single robot system	Typically added to systems with an existing SmartController EX to create multi-robot systems
Bundled Accessories	<ul style="list-style-type: none"> XSYS cable with jumpers, 2m/6ft (13323-000) Front panel kit (90356-10358) 	<ul style="list-style-type: none"> XSYS cable with jumpers, 2m/6ft (13323-000) XSYS cable, 5m/15 ft (11585-000) DB9 splitter (00411-000) 1394 latch cable, 5m/15 ft, 13632-045) eV+ license to connect to controller (14529-103)

Note: OMRON also provides other types of model. Ask your OMRON sales representative for details.