



# For Semiconductor Manufacturing Equipment



NEW

The Switch is not included with this product.

## SEMI S2-compliant E-stop Shroud Set

Set includes SEMI S2-compliant E-stop Shroud and EMERGENCY OFF legend plate.

### SEMI S2-0200

12.4 All emergency off buttons should be clearly labeled as "EMO," "Emergency Off," or the equivalent and should be clearly legible from the viewing location. The label may appear on the button or on the yellow background.

### SEMATECH Application Guide for SEMI S2-93

12.4.c The EMO should be located in an area not subject to accidental activation. If a button guard is installed, its diameter should be no less than 75 mm (3 inches) with the button recessed no more than 3 mm (0.125 inches) from the front of the guard, or equivalently configured to allow for palm activation.

Model
A22Z-EG1

# For Production Lines



NEW

## Emergency Stop Switch with Integrated Control Box for Easy Installation in Production Equipment.

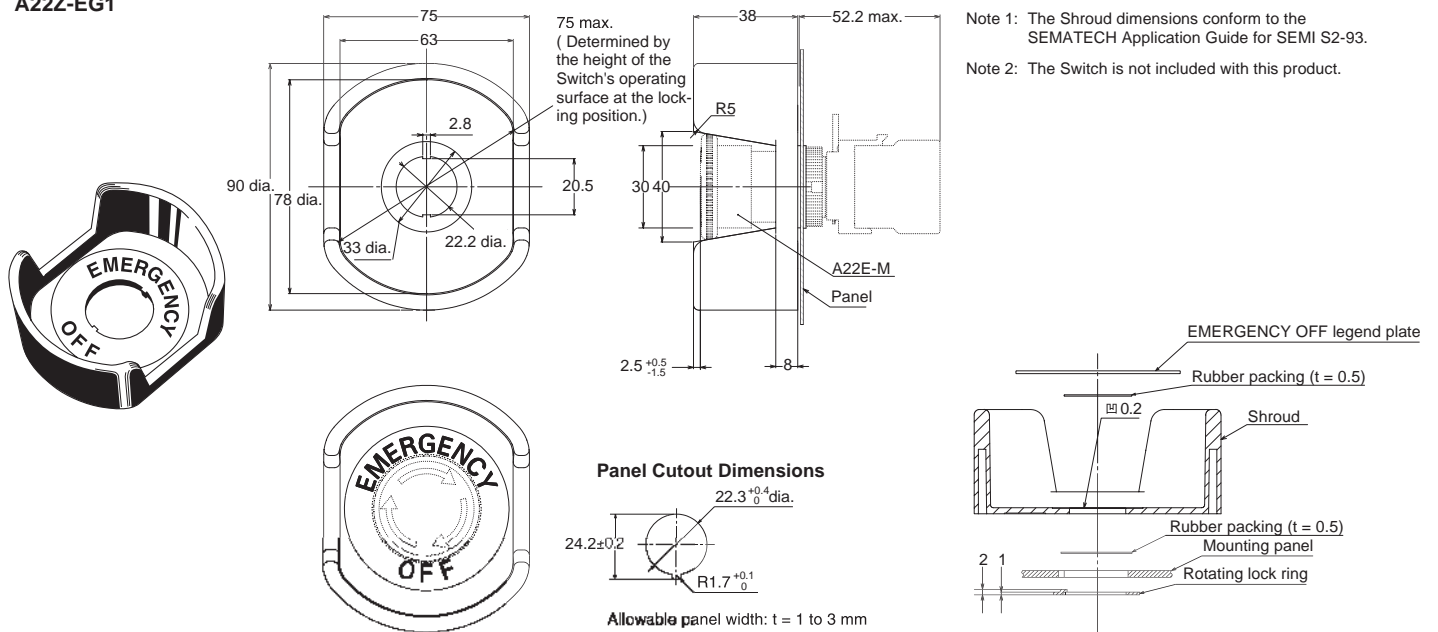
The Emergency Stop Switch is housed in a yellow control box.

Includes the EMERGENCY STOP legend plate, conduit, and connector. Conforms to IP65.

Contact form	Model
SPST-NC	A22E-M-01B
SPST-NC/SPST-NO	A22E-M-11B
DPST-NC	A22E-M-02B

## ■ Dimensions (Unit: mm)

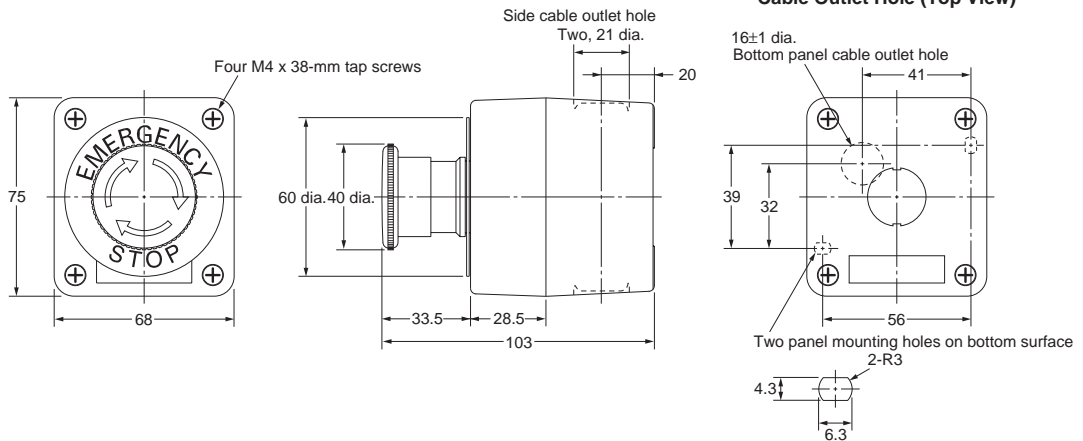
### A22Z-EG1



### A22E-M-01B

### A22E-M-11B

### A22E-M-02B



### General Precautions

- The application examples in this brochure are provided for reference purposes only. Always check the functions and safety of devices and equipment before using them with this product.
- Before using the product under conditions which are not described in the brochure or applying the product to nuclear control systems, railroad systems, aviation systems, vehicles, combustion systems, medical equipment, amusement machines, safety equipment, and other systems, machines, and equipment that may have a serious influence on lives and property if used improperly, consult your OMRON representative.
- Make sure that the ratings and performance characteristics of the product are sufficient for the systems, machines, and equipment, and be sure to provide the systems, machines, and equipment with double safety mechanisms.

### Authorized Distributor: