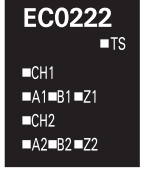
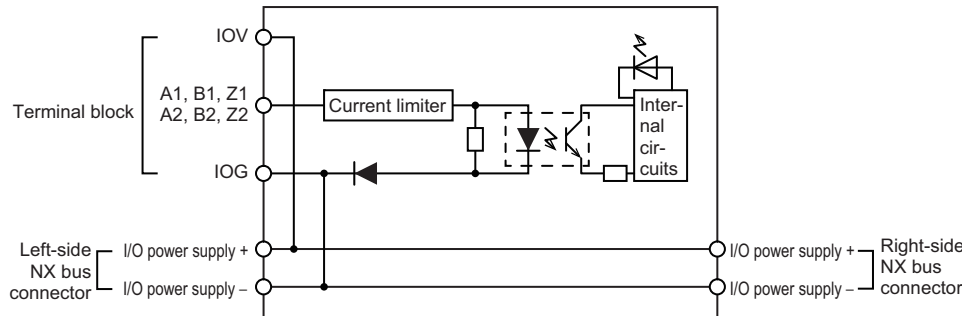
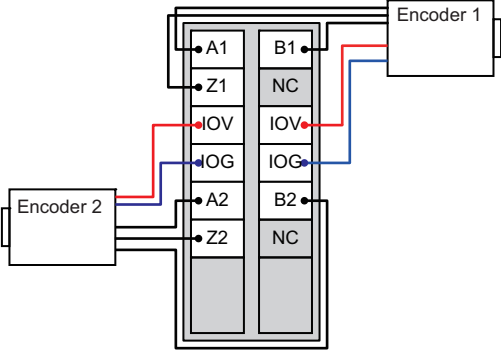


Incremental Encoder Input Units 2 channel NX-EC0222

Unit name	Incremental Encoder Input Units		Model	NX-EC0222
Number of channels	2 channels		Type of external connections	Screwless clamping terminal block (12 terminals)
I/O refreshing method	Free-Run refreshing or synchronous I/O refreshing *1			
Indicators			Input signals	Counter: Phases A, B, and Z External Inputs: None
Input form	Voltage input (24 V)			
Counting unit	Pulses			
Pulse input method	Phase difference pulse (multiplication x1/2/4), pulse + direction inputs, or up and down pulse inputs			
Counter range	-2,147,483,648 to 2,147,483,647 pulses			
Counter functions				
Counter type	Ring counter or linear counter			
Counter controls	Gate control, counter reset, and counter preset			
Latch function	Two external input latches and one internal latch			
Measurements	Pulse rate measurement and pulse period measurement			
Voltage input specifications				
Input voltage	20.4 to 28.8 VDC (24 VDC +20%/-15%)	ON voltage	19.6 VDC min./3 mA min.	
Input current	4.2 mA typical (24 VDC)	OFF voltage	4.0 VDC max./1 mA max.	
Maximum response frequency	Phases A and B: Single-phase 500 kHz (phase difference pulse input x4: 125 kHz), Phase Z: 125 kHz			
Internal I/O common processing	PNP			
External input specifications				
Input voltage	---	ON voltage/ON current	---	
Input current	---	OFF voltage/OFF current	---	
ON/OFF response time	---			
Internal I/O common processing	---			
Dimensions	12 x 100 x 71 mm (WxHxD)		Isolation method	Photocoupler isolation
Insulation resistance	20 MΩ min. between isolated circuits (at 100 VDC)		Dielectric strength	510 VAC between isolated circuits for 1 minute with leakage current of 5 mA max.
I/O power supply source	Supplied from the NX bus. 20.4 to 28.8 VDC (24 VDC +20%/-15%)		Current capacity of I/O power supply terminals	IOV: 0.3 A max. per terminal IOG: 0.3 A max. per terminal
NX Unit power consumption	0.95 W		Current consumption from I/O power supply	None
Weight	65 g			
Circuit layout	<p>Encoder Input</p> 			
Installation orientation and restrictions	Installation orientation: 6 possible orientations Restrictions: There are no restrictions.			

Terminal connection diagram



Failure detection	None	Protection	None
--------------------------	------	-------------------	------

*1. The I/O refreshing method is automatically set according to the connected Communications Coupler Unit and CPU Unit.