

## EtherNet/IP communication coupler unit

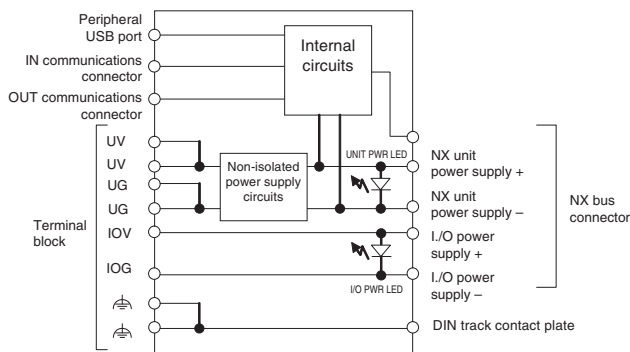
Item	Specifications	
Model	<b>NX-EIC202</b>	
Number of connectable NX units	63 units max. <sup>*1</sup>	
Communications protocol	EtherNet/IP protocol	
Number of connections	8	
Received packet interval (RPI, refresh cycle)	4 to 1,000 ms	
Allowed communications bandwidth per unit	1,000 pps	
NX bus I/O data size	Input: 512 bytes max. (including input data, status and unused areas) Output: 512 bytes max. (including output data and unused areas)	
EtherNet/IP I/O connection size	Input: 504 bytes max. (including input data, status and unused areas) Output: 504 bytes max. (including output data and unused areas)	
Refreshing methods	Free-run refreshing	
Unit power supply	<b>Voltage</b>	24 VDC (20.4 to 28.8 VDC)
	<b>Capacity</b>	10 W max.
	<b>Efficiency</b>	70%
	<b>Isolation method</b>	No isolation between NX unit power supply and unit power supply terminals
	<b>Unwired terminal current capacity</b>	4 A max.
I/O power supply	<b>Voltage</b>	5 to 24 VDC (4.5 to 28.8 VDC) <sup>*2</sup>
	<b>Maximum I/O current</b>	10 A
	<b>Terminal current capacity</b>	10 A max.
Unit power consumption	1.60 W max.	
Current consumption from I/O power supply	10 mA max. (for 24 VDC)	
Dielectric strength	510 VAC for 1 min, leakage current: 5 mA max. (between isolated circuits)	
Insulation resistance	100 VDC, 20 MΩ min. (between isolated circuits)	
External connection terminals	Connector for EtherNet/IP communications: <ul style="list-style-type: none"> <li>• RJ45 × 2 (shielded)</li> </ul> Screwless push-in terminal (8 terminals) For power supply unit, I/O power supply and grounding. Removable. Peripheral USB port for Sysmac Studio connection: <ul style="list-style-type: none"> <li>• Physical layer: USB 2.0-compliant, B-type connector</li> <li>• Transmission distance: 5 m max.</li> </ul>	
Terminal block type	Screwless push-in terminal 8 terminals (A + B with FG)	
Dimensions (W x H x D)	46 × 100 × 71	
Weight	150 g max.	

\*1. Refer to the NX-safety control units user's manual (Cat.No. Z930) for the number of safety control units that can be connected.

\*2. Use an output voltage that is appropriate for the I/O circuits of the NX units and the connected external devices.

### Circuit layout

#### NX-EIC202



### Terminal wiring

#### NX-EIC202

