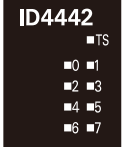
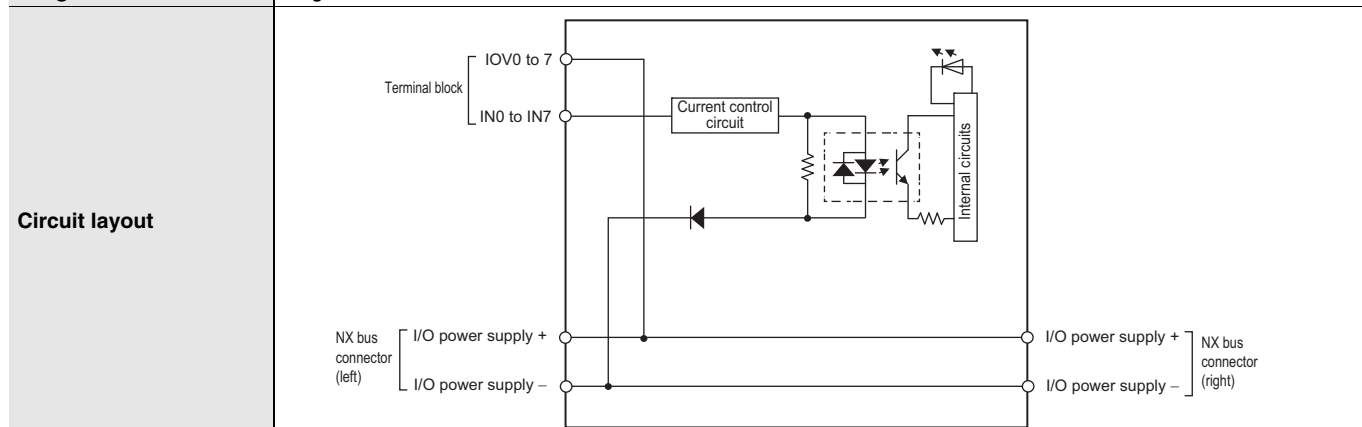
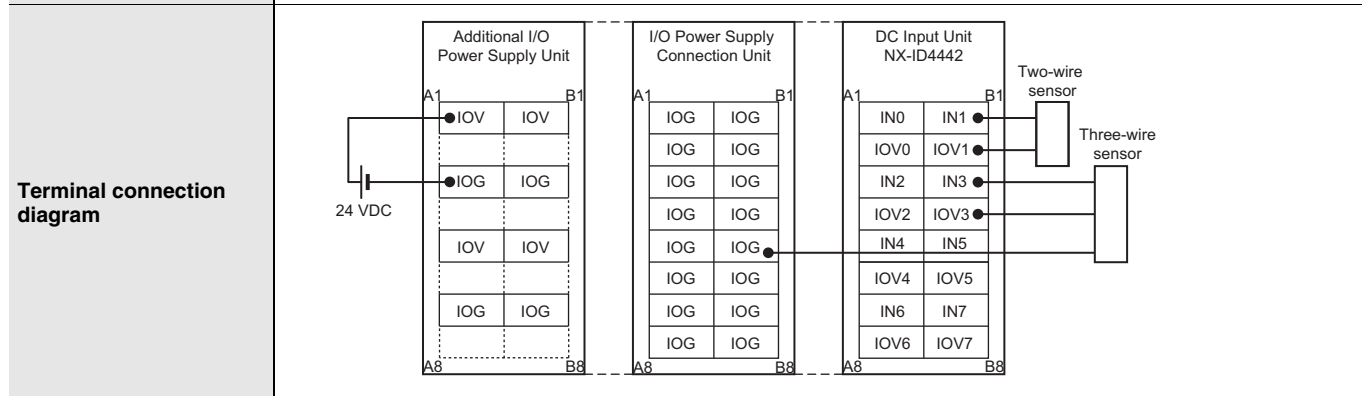


## NX-ID4442

<b>Unit name</b>	DC Input Unit	<b>Model</b>	NX-ID4442
<b>Capacity</b>	8 points	<b>External connection terminals</b>	Screwless clamping terminal block (16 terminals)
<b>I/O refreshing method</b>	Selectable Synchronous I/O refreshing or Free-Run refreshing		
<b>Indicators</b>	TS indicator, input indicator 	<b>Internal I/O common</b>	PNP
		<b>Rated input voltage</b>	24 VDC (15 to 28.8 VDC)
		<b>Input current</b>	3.5 mA typical (at 24 VDC), rated current
		<b>ON voltage/ON current</b>	15 VDC min./3 mA min. (between IOG and each signal)
		<b>OFF voltage/OFF current</b>	5 VDC max./1 mA max. (between IOG and each signal)
		<b>ON/OFF response time</b>	20 μs max./400 μs max.
		<b>Input filter time</b>	Without filter, 0.25 ms, 0.5 ms, 1 ms (factory setting), 2 ms, 4 ms, 8 ms, 16 ms, 32 ms, 64 ms, 128 ms, 256 ms
<b>Dimensions</b>	12 (W) x 100 (H) x 71 (D)	<b>Isolation method</b>	Photocoupler isolation
<b>Insulation resistance</b>	20 MΩ min. between isolated circuits (at 100 VDC)	<b>Dielectric strength</b>	510 VAC between isolated circuits for 1 minute at a leakage current of 5 mA max.
<b>I/O power supply method</b>	Supply from the NX bus	<b>Current capacity of I/O power supply terminal</b>	IOV: 0.1 A/terminal max.
<b>NX Unit power consumption</b>	0.50 W max.	<b>Current consumption from I/O power supply</b>	No consumption
<b>Weight</b>	65 g max.		



**Installation orientation and restrictions**  
 Installation orientation: Possible in 6 orientations.  
 Restrictions: No restrictions



<b>Disconnection/Short-circuit detection</b>	Not supported.	<b>Protective function</b>	Not supported.
--	----------------	----------------------------	----------------