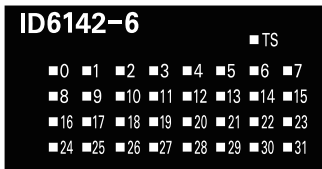
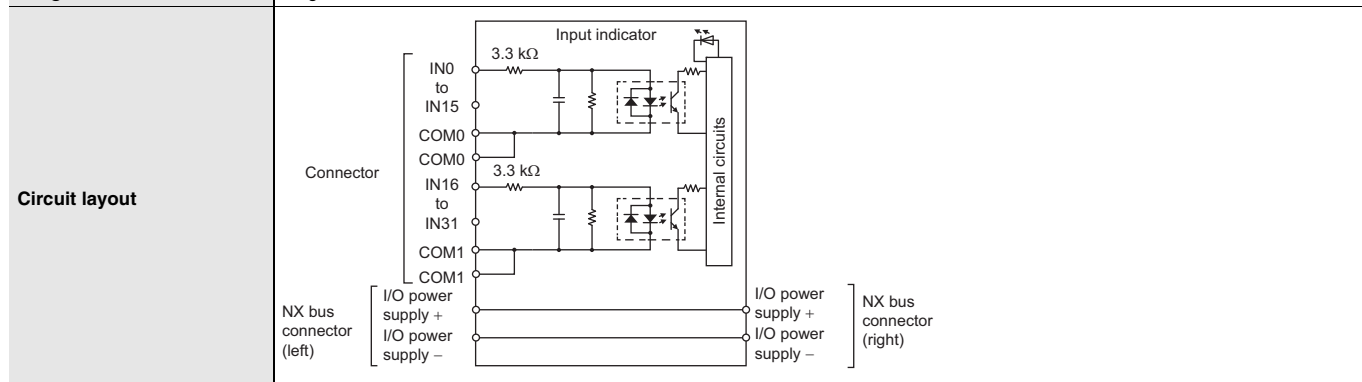


● DC Input Units (Fujitsu Connector, 30 mm Width)  
**NX-ID6142-6**

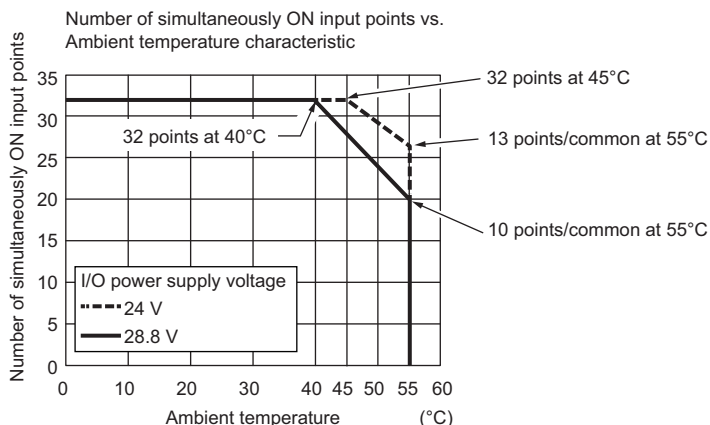
<b>Unit name</b>	DC Input Unit	<b>Model</b>	NX-ID6142-6
<b>Number of points</b>	32 points	<b>External connection terminals</b>	Fujitsu connector (40 terminals)
<b>I/O refreshing method</b>	Switching Synchronous I/O refreshing and Free-Run refreshing		
<b>Indicators</b>	TS indicator, input indicators	<b>Internal I/O common</b>	For both NPN/PNP
		<b>Rated input voltage</b>	24 VDC (19 to 28.8 VDC)
		<b>Input current</b>	4.1 mA typical (24 VDC)
		<b>ON voltage/ON current</b>	19 VDC min./3 mA min. (between COM and each signal)
		<b>OFF voltage/OFF current</b>	5 VDC max./1 mA max. (between COM and each signal)
		<b>ON/OFF response time</b>	20 μs max./400 μs max.
<b>Input filter time</b>	No filter, 0.25 ms, 0.5 ms, 1 ms (default), 2 ms, 4 ms, 8 ms, 16 ms, 32 ms, 64 ms, 128 ms, 256 ms		
<b>Dimensions</b>	30 (W) x 100 (H) x 71 (D)	<b>Isolation method</b>	Photocoupler isolation
<b>Insulation resistance</b>	20 MΩ min. between isolated circuits (at 100 VDC)	<b>Dielectric strength</b>	510 VAC between isolated circuits for 1 minute at a leakage current of 5 mA max.
<b>I/O power supply method</b>	Supply from external source	<b>Current capacity of I/O power supply terminal</b>	Without I/O power supply terminals
<b>NX Unit power consumption</b>	0.55 W max.	<b>Current consumption from I/O power supply</b>	No consumption
<b>Weight</b>	90 g max.		



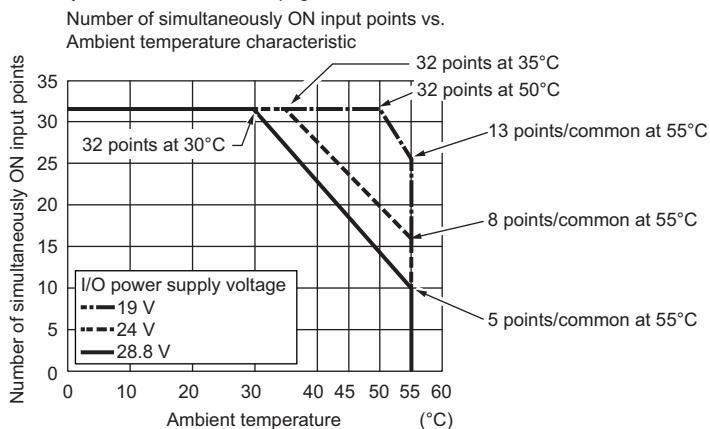
**Installation orientation and restrictions**

Installation orientation: Possible in 6 orientations.  
Restrictions: As shown in the following.

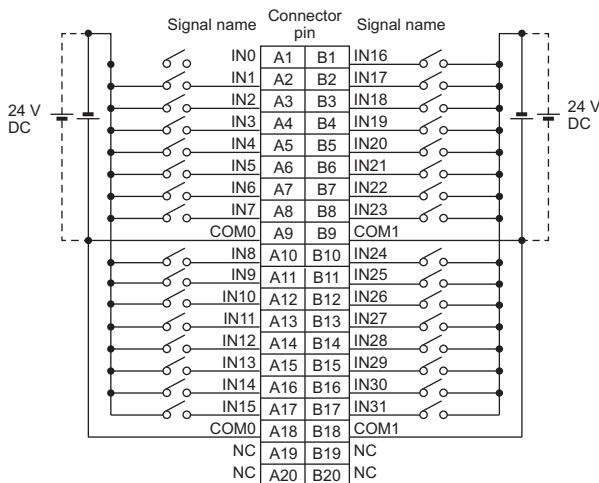
- For upright installation



- For any installation other than upright



**Terminal connection diagram**



- The polarity of the input power supply can be connected in either direction.
- Be sure to wire both pins A9 and A18 (COM0), and set the same polarity for both pins.
- Be sure to wire both pins B9 and B18 (COM1), and set the same polarity for both pins.

**Disconnection/Short-circuit detection**

Not supported.

**Protective function**

Not supported.