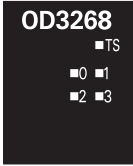
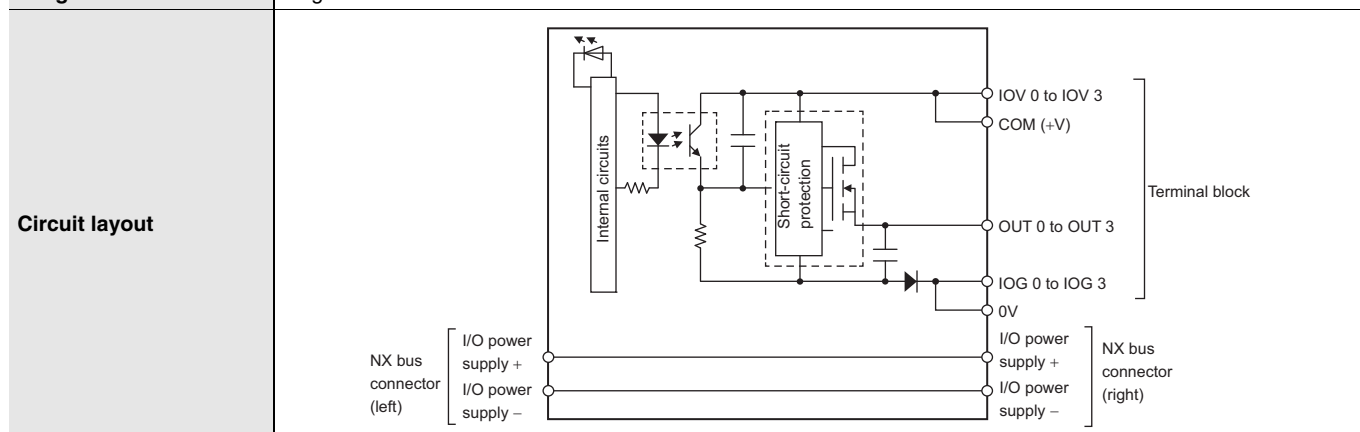
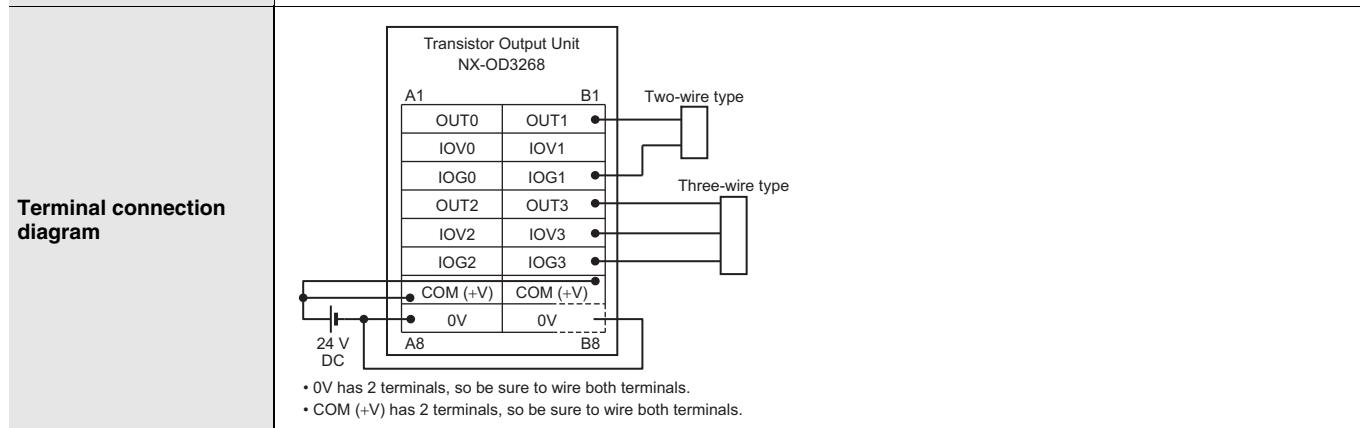


NX-OD3268

Unit name	Transistor Output Unit	Model	NX-OD3268
Number of points	4 points	External connection terminals	Screwless clamping terminal block (16 terminals)
I/O refreshing method	Switching Synchronous I/O refreshing and Free-Run refreshing		
Indicators		Internal I/O common	PNP
		Rated voltage	24 VDC
		Operating load voltage range	15 to 28.8 VDC
		Maximum value of load current	2 A/point, 8 A/Unit
		Maximum inrush current	4.0 A/point, 10 ms max.
		Leakage current	0.1 mA max.
		Residual voltage	1.5 V max.
		ON/OFF response time	0.5 ms max./1.0 ms max.
Dimensions	12 (W) x 100 (H) x 71 (D)	Isolation method	Photocoupler isolation
Insulation resistance	20 MΩ min. between isolated circuits (at 100 VDC)	Dielectric strength	510 VAC between isolated circuits for 1 minute at a leakage current of 5 mA max.
I/O power supply method	Supply from external source	Current capacity of I/O power supply terminal	IOV: 2 A/terminal max., IOG: 2 A/terminal max., COM (+V): 4 A/terminal max., 0V: 4 A/terminal max.
NX Unit power consumption	0.50 W max.	Current consumption from I/O power supply	20 mA max.
Weight	70 g max.		



Installation orientation and restrictions
 Installation orientation: Possible in 6 orientations.
 Restrictions: No restrictions



Disconnection/Short-circuit detection	Not supported.	Protective function	With load short-circuit protection.
--	----------------	----------------------------	-------------------------------------