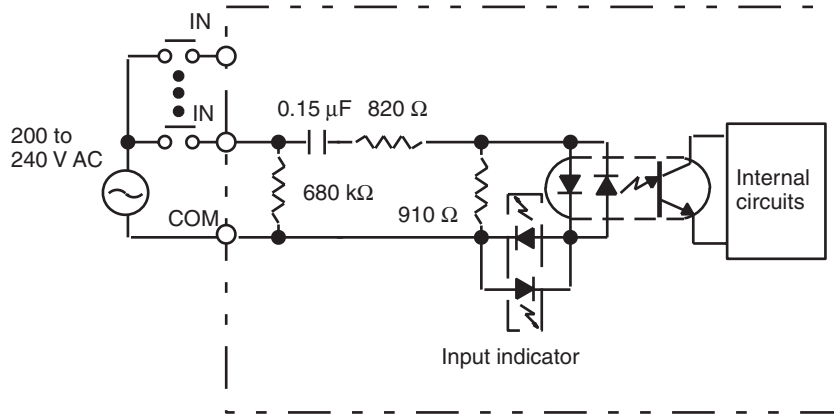


C200H-IA221 AC Input Unit (8 Points)

Rated Input Voltage	200 to 240 V AC (50/60 Hz)
Operating Input Voltage	170 to 264 V AC (50/60 Hz)
Input Impedance	21 kΩ (50 Hz), 18 kΩ (60 Hz)
Input Current	10 mA typical (at 200 V AC)
ON Voltage	120 V AC min.
OFF Voltage	40 V AC max.
ON Response Time	35 ms max. (at 200 V AC, 25°C)
OFF Response Time	55 ms max. (at 200 V AC, 25°C)
No. of Circuits	1 (8 points/common)
Internal Current Consumption	10 mA 5 V DC max.
Weight	250 g max.

Circuit Configuration



Terminal Connections

