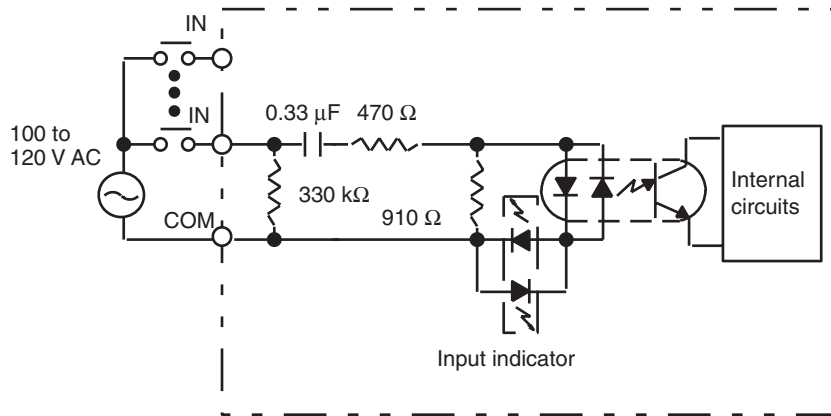


Note Terminal numbers A0 to A9 and B0 to B9 are used in this manual, but they are not printed on the Unit.

C200H-IA121 AC Input Unit (8 Points)

Rated Input Voltage	100 to 120 V AC (50/60 Hz)
Operating Input Voltage	85 to 132 V AC (50/60 Hz)
Input Impedance	9.7 kΩ (50 Hz), 8 kΩ (60 Hz)
Input Current	10 mA typical (at 100 V AC)
ON Voltage	60 V AC min.
OFF Voltage	20 V AC max.
ON Response Time	35 ms max. (at 100 V AC, 25°C)
OFF Response Time	55 ms max. (at 100 V AC, 25°C)
No. of Circuits	1 (8 points/common)
Internal Current Consumption	10 mA 5 V DC max.
Weight	250 g max.

Circuit Configuration



Terminal Connections

