

6-3-3 Operation Mode Switch (DA021/041)

The operation mode switch on the front panel of the Unit is used to set the operation mode to either normal mode or adjustment mode (for adjusting offset and gain).

(The CJ1W-DA08V/08C does not have this switch. Change the mode by making the setting in bits 00 to 07 of DM word m+18. Set 00 for adjustment mode or 01 for normal mode.)



Pin number		Mode
1	2	
OFF	OFF	Normal mode
ON	OFF	Adjustment mode

Caution Do not set the pins to any combination other than those shown in the above table. Be sure to set pin 2 to OFF.

Caution Be sure to turn OFF the power to the PLC before installing or removing the Unit.

Note The CJ1W-DA08V/08C Analog Output Unit has a software setting for the operation mode in bits 00 to 07 of DM word m+18. The contents of DM word m+18 are shown below.

Bit	15	14	13	12	11	10	09	08	07	06	05	04	03	02	01	00
D (m+18)	Conversion time/resolution setting 00: Conversion time of 1 ms and resolution of 4,000 C1: Conversion time of 250 μs and resolution of 8,000								Operation mode setting 00: Normal mode C1: Adjustment mode							

$$m = D20000 + (\text{unit number} \times 100)$$

6-4 Wiring

6-4-1 Terminal Arrangement

The signal names corresponding to the connecting terminals are as shown in the following diagram.

CJ1W-DA021

Voltage output 2 (+)	B1	A1	Voltage output 1 (+)
Output 2 (-)	B2	A2	Output 1 (-)
Current output 2 (+)	B3	A3	Current output 1 (+)
N.C.	B4	A4	N.C.
N.C.	B5	A5	N.C.
N.C.	B6	A6	N.C.
N.C.	B7	A7	N.C.
N.C.	B8	A8	N.C.
0 V	B9	A9	24 V

CJ1W-DA041


Voltage output 2 (+)	B1	A1	Voltage output 1 (+)
Output 2 (-)	B2	A2	Output 1 (-)
Current output 2 (+)	B3	A3	Current output 1 (+)
Voltage output 4 (+)	B4	A4	Voltage output 3 (+)
Output 4 (-)	B5	A5	Output 3 (-)
Current output 4 (+)	B6	A6	Current output 3 (+)
N.C.	B7	A7	N.C.
N.C.	B8	A8	N.C.
0 V	B9	A9	24 V

CJ1W-DA08V (Voltage Output)
and CJ1W-DA08C (Current Output)

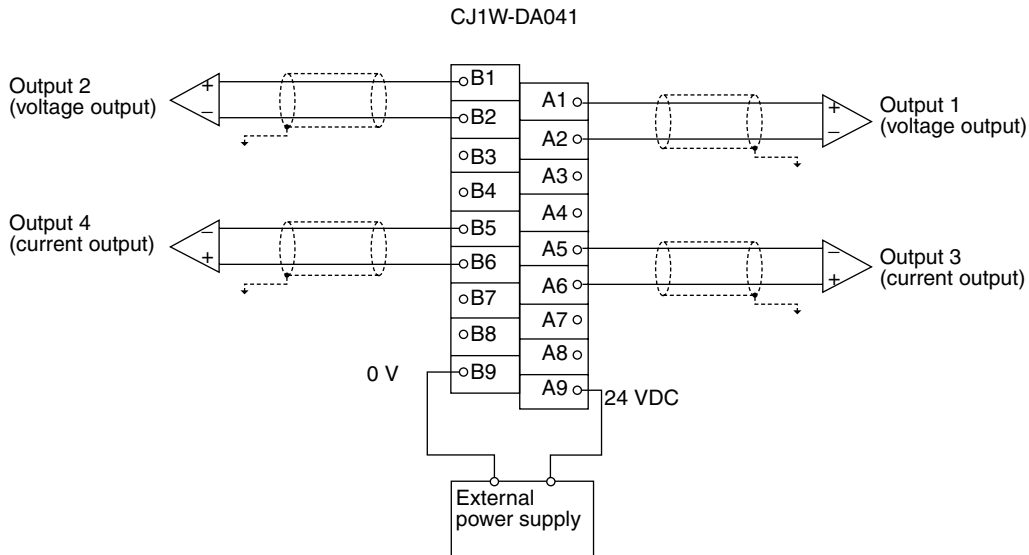
Output 2 (+)	B1	A1	Output 1 (+)
Output 2 (-)	B2	A2	Output 1 (-)
Output 4 (+)	B3	A3	Output 3 (+)
Output 4 (-)	B4	A4	Output 3 (-)
Output 6 (+)	B5	A5	Output 5 (+)
Output 6 (-)	B6	A6	Output 5 (-)
Output 8 (+)	B7	A7	Output 7 (+)
Output 8 (-)	B8	A8	Output 7 (-)
0 V	B9	A9	24 V

1. The number of analog outputs that can be used is set in the DM Area.
2. The output signal ranges for individual outputs are set in the DM Area. The output signal range can be set separately for each output.
3. The N.C. terminals are not connected to internal circuitry.
4. We recommend the following external power supplies.

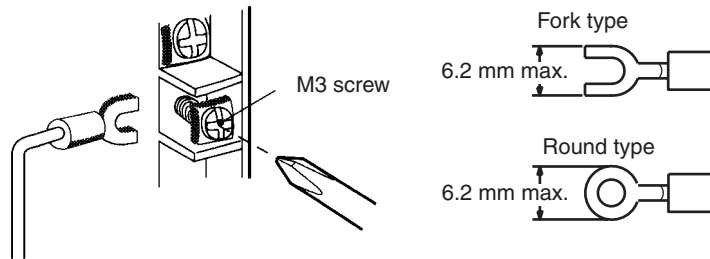
Maker	Model number	Specifications
OMRON	S82K-05024	100 VAC, 50 W
	S82K-10024	100 VAC, 100 W

 **Caution** Use a separate power supply from the one used for Basic I/O Units. Faulty Unit operation may be caused by noise if power is supplied from the same source.

6-4-3 Output Wiring Example



Note Crimp terminals must be used for terminal connections, and the screws must be tightened securely. M3 terminal screws are used. The applicable tightening torque is 0.5 N·m.



To minimize output wiring noise, ground the output signal line to the input device.

6-4-4 Output Wiring Considerations

When wiring outputs, apply the following points to avoid noise interference and optimize Analog Output Unit performance.

- Use two-core shielded twisted-pair cables for output connections.
- Route output cables separately from the AC cable, and do not run the Unit's cables near a main circuit cable or a high voltage cable. Do not insert output cables into the same duct.
- If there is noise interference from power lines (if, for example, the power supply is shared with electrical welding devices or electrical discharge machines, or if there is a high-frequency generation source nearby) install a noise filter at the power supply input area.
- Use a separate power supply for the external power supply from the one used for Basic I/O Units. If the same power supply is used, noise may cause Units to malfunction.