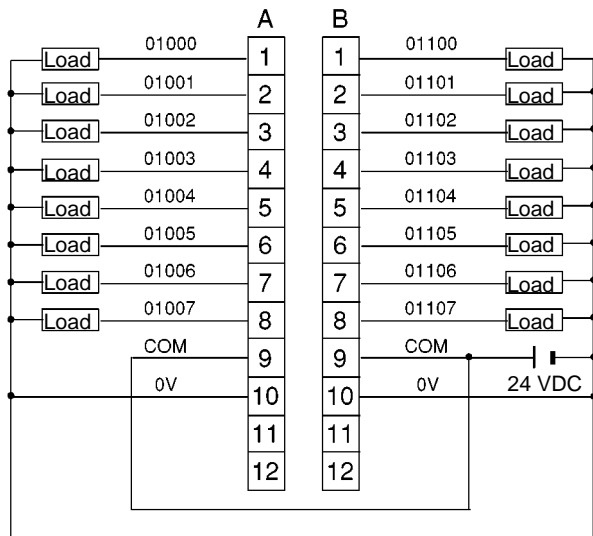


# CPU Units with 32 I/O Points, Sourcing Outputs: CPM2C-32CDT1C-D

Output capacity	Max. common capacity
OUT01000 to OUT01007: 300 mA (24 VDC)	3.2 A/common
OUT01100 to OUT01107: 100 mA (24 VDC)	

Outputs: IR 010/IR011



**Note** Wire COM terminals (A9 and B9) and 0-V terminals (A10 and B10) even though they are connected internally.