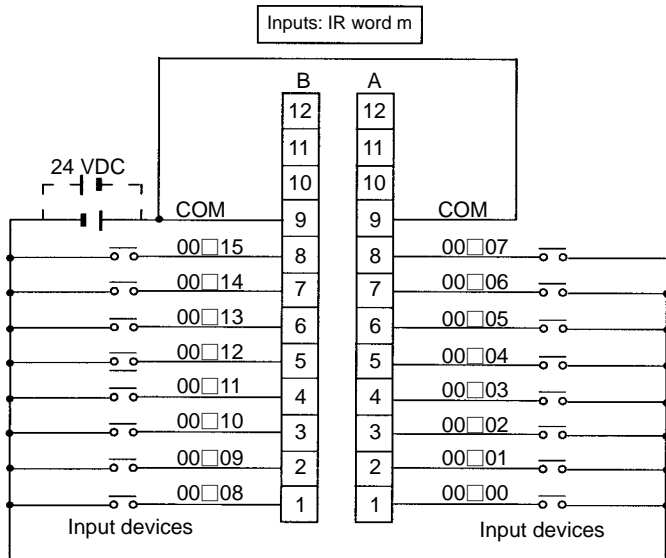


# Expansion I/O Units with 24 I/O Points: CPM2C-24EDT□C



**Note** COM terminals (A9 and B9) are connected internally.