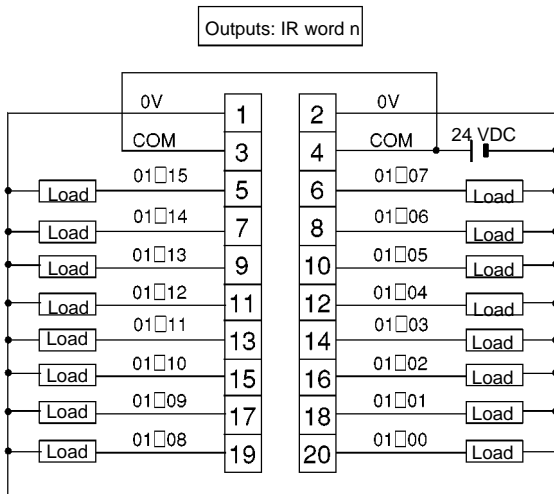


Expansion I/O Unit with 32 I/O Points Sourcing Outputs: CPM2C-32EDT1M

Output capacity	Max. common capacity
00 to 07: 300 mA (24 VDC)	3.2 A/common
08 to 15: 100 mA (24 VDC)	



Note Wire COM terminals (3 and 4) and 0-V terminals (1 and 2) even though they are connected internally.