

Interface Converter K3SC

A compact converter that allows communications between RS-232C/USB and RS-422/485 devices. Ideal for industrial applications.

- Allows communications between RS-232C/USB (Universal Serial Bus) and RS-422/485 devices.
- Phototransistor couplers ensure 1,500-VAC isolation between the RS-232C/USB and RS-422/485 sides and a transformer ensures 1,500-VAC isolation for the power supply.
- Compact 30-mm-wide body supports both screw-mounting and DIN track mounting.
- LED indicator for RD, SD, and power.
- Operation either with or without echoback available.
- Recognized to conform to U.S. and Canadian requirements under the Component Recognition Program of UL.
- CE marking (except for USB).
- Functionality to convert between USB and RS-232C communications added.
- USB driver providing virtual communications port for USB communications is available.

Note: To use USB communications, the USB driver for the K3SC must be downloaded from the OMRON web site.


Application Examples

- Data can be transferred between computers (using the USB port if there is no RS-232C port) and field devices.
- Using two K3SC Units enables long-distance communications between devices connected via RS-232C.



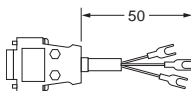
Ordering Information

List of Models

Appearance	Size (mm)	Power supply voltage	Model
	30 × 80 × 78 (W × H × D)	100 to 240 VAC	K3SC-10 100 to 240 VAC
		24 VAC/VDC	K3SC-10 24 VAC/VDC

■ Accessories (Order Separately)

Adapter for RS-232C Serial Cable and K3SC (D-Sub, 9-pin, male)

Appearance	Wiring diagram	Model																								
	<p>D-Sub, 9-pin</p> <table border="1"> <thead> <tr> <th>Pin</th> <th>Signal</th> <th>M3.5 terminals</th> </tr> </thead> <tbody> <tr> <td>3</td> <td>SD</td> <td>SD (orange)</td> </tr> <tr> <td>2</td> <td>RD</td> <td>RD (white)</td> </tr> <tr> <td>5</td> <td>SG</td> <td>SG (gray)</td> </tr> <tr> <td>7</td> <td>RS</td> <td></td> </tr> <tr> <td>8</td> <td>CS</td> <td></td> </tr> <tr> <td>6</td> <td>DR</td> <td></td> </tr> <tr> <td>4</td> <td>ER</td> <td></td> </tr> </tbody> </table>	Pin	Signal	M3.5 terminals	3	SD	SD (orange)	2	RD	RD (white)	5	SG	SG (gray)	7	RS		8	CS		6	DR		4	ER		K32-23209
Pin	Signal	M3.5 terminals																								
3	SD	SD (orange)																								
2	RD	RD (white)																								
5	SG	SG (gray)																								
7	RS																									
8	CS																									
6	DR																									
4	ER																									

Specifications

■ Ratings

Item	K3SC-10 100 to 240 VAC	K3SC-10 24 VAC/VDC								
Supply voltage	100 to 240 VAC 50/60 Hz	24 VAC 50/60 Hz, 24 VDC								
Operating voltage range	85% to 110% of power supply voltage									
Power consumption	5 VA max.	3 VA max./3 W max.								
Master/slave device communications format (Select one of the formats listed on the right using the DIP switch.)	<table border="0"> <tr> <td>Master Device</td> <td>Slave Device</td> </tr> <tr> <td>RS-232C or USB</td> <td>RS-485, half duplex</td> </tr> <tr> <td>RS-232C or USB</td> <td>RS-422, full duplex</td> </tr> <tr> <td>USB</td> <td>RS-232C, full duplex</td> </tr> </table>	Master Device	Slave Device	RS-232C or USB	RS-485, half duplex	RS-232C or USB	RS-422, full duplex	USB	RS-232C, full duplex	
Master Device	Slave Device									
RS-232C or USB	RS-485, half duplex									
RS-232C or USB	RS-422, full duplex									
USB	RS-232C, full duplex									
Communications method	Start-stop synchronization									
Ambient operating temperature	RS-232C	-10 to 55 °C (with no icing)								
	USB	0 to 55 °C (with no icing)								
Ambient operating humidity	25% to 85% (with no condensation)									
Ambient storage temperature	-20 to 65 °C									

■ Characteristics

Item		Specification	
Master device	RS-232C interface (See note 1.)	Maximum transmission distance	15 m
		Maximum number of connectable Units	1 Unit
	USB interface (See note 2.)	Maximum transmission distance	5 m; hub delay time + cable delay time ≤ 70 ns
		Maximum number of connectable Units	1 Unit
	USB standard	V1.1	
Slave device	RS-422/485 interface	Maximum transmission distance	500 m
		Maximum number of connectable Units	31 Units (for multi-drop connection)
Baud rate		1,200/2,400/4,800/9,600/19,200/38,400 (bps) Default setting: 9,600	
Data length		7/8 bits Default setting: 7	
Stop bit length		1/2 bits Default setting: 2	
Communications parity		None/even/odd Default setting: Even	
Echoback selection		Echoback: With/without Default setting: Without	
Selection switch response delay		Approx. 30 ms	
Insulation resistance		20 MΩ min. measured at 500 VDC between the following: External terminals ↔ casing RS-232C terminals and USB port ↔ RS-422/485 terminals ↔ power supply terminals	
	Isolation method	Phototransistor coupler	
	Communications	Isolating transformer	
	Power supply		
Dielectric strength		1,500 VAC for 1 minute measured between the following: External terminals ↔ casing RS-232C terminals, USB port, RS-422 terminals, and RS-485 terminals ↔ power supply terminals	
		500 VAC for 1 minute measured between the following: RS-232C terminals and USB port ↔ RS-422 terminals and RS-485 terminals	
Noise immunity		AC power supply terminals, normal/common mode: ±1,500 V AC/DC power supply terminals, normal mode: ±480 V; common mode: ±1,500 V Square wave with 1-ns rising edge ±1 μs, ±100 ns	
Vibration resistance	Malfunction	10 to 55 Hz, 0.5-mm single amplitude for 10 minutes each in X, Y, and Z directions	
	Destruction	10 to 55 Hz, 0.5-mm single amplitude for 2 hours each in X, Y, and Z directions	
Shock resistance	Malfunction	98 m/s ² 3 times each in X, Y, and Z directions	
	Destruction	294 m/s ² 3 times each in X, Y, and Z directions	
Weight		Approx. 150 g	
Degree of protection (See note 3.)	Front panel operation parts	Conforms to IEC standards, equivalent to IP20 (when terminal cover mounted)	
	Terminals	Equivalent to VDE 0106/100 (when terminal cover mounted)	
EMC		(EMI) Emission Enclosure: EN61326+A1 Industry CISPR 11 Group 1 class A: CISRP16-1/-2 Emission AC Mains: CISPR 11 Group 1 class A: CISRP16-1/-2 (EMS) Immunity ESD: EN61326+A1 Industry EN61000-4-2: 4 kV contact discharge (level 2) 8 kV air discharge (level 3) Immunity RF-interference: EN61000-4-3: 10 V/m (amplitude-modulated, 80 MHz to 1 GHz) (level 3) Immunity Fast Transient Noise: EN61000-4-4: 2 kV (power line) (level 3) Immunity Burst Noise: 1 kV line to line (I/O signal line) Immunity Surge: EN61000-4-5: 1 kV line to line 2 kV line to ground (power line) Immunity Conducted Disturbance EN61000-4-6: 3 V (0.15 to 80 MHz) (level 2) Immunity Voltage Dip/Interrupting EN61000-4-11: 0.5 cycles, 0, 180°, 100% (rated voltage)	
Approved standards		UL508, Conforms to EN61326+A1, EN61010-1 (IEC61010-1)	
Memory protection		No protective functions (Communications data is not protected for power interruptions during communications.)	

- Note:**
1. With RS-232C communications, free-run mode is supported for SD and RD but not for any other signal lines.
 2. To use USB communications, the USB driver for the K3SC must be downloaded from the OMRON web site.
<http://www.fa.omron.co.jp/sensing/download/dpm/k3sc/english/index.html>
 3. The enclosure ratings do not apply when USB is used.
 4. The CE marking does not apply when the K3SC is used for USB.

Connections

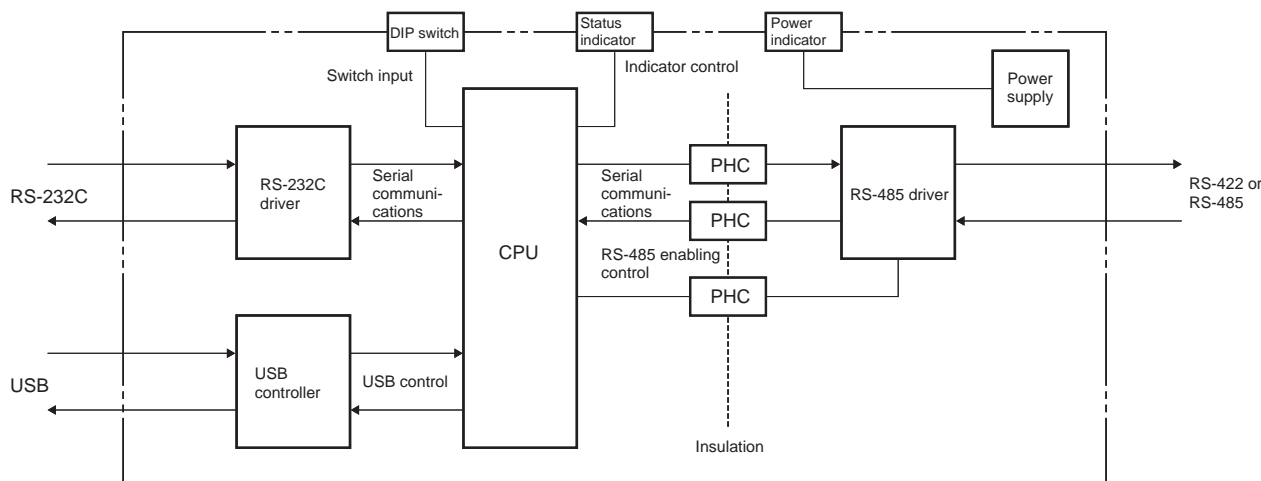
Terminal Specifications

Be sure to check the input and output specifications for the signal pins of connected devices before connecting the terminals.

Function	Terminal number	Name	Signal direction	Explanation
For connecting the operating power supply	1 and 4	PWR	---	The input power supply specifications vary with the model. A 100 to 240-VAC model and a 24-VAC/VDC (no-polarity) model are available.
Connection terminals for RS-232C communications with master device (DIP switch pin 8: OFF)	3	SG	---	Connect to signal ground.
	5	SD	Input	Receives data from SD of the master device.
	6	RD	Output	Sends data to RD of the master device.
Used for RS-485 communications with slave device (DIP switch pin 9: OFF)	8	RDA(-)	Input/output	SD and RD for RS-485 (cold side) Terminals 8 and 9 are connected internally when pin 9 of the DIP switch is set to OFF.
	9	SDA(-)		
	11	RDB(+)	Input/output	SD and RD for RS-485 (hot side) Terminals 11 and 12 are connected internally when pin 9 of the DIP switch is set to OFF.
	12	SDB(+)		
Used for RS-422 communications with slave device (DIP switch pin 9: ON)	7	SG	---	Connect to signal ground.
	8	RDA(-)	Input	Receives RS-422 data and outputs it to the master side.
	9	SDA(-)	Output	Converts data received via RS-232C from the master device to RS-422 data and outputs the data.
	11	RDB(+)	Input	Receives RS-422 data and outputs it to the master side.
	12	SDB(+)	Output	Converts data received via RS-232C from the master device to RS-422 data and outputs the data.

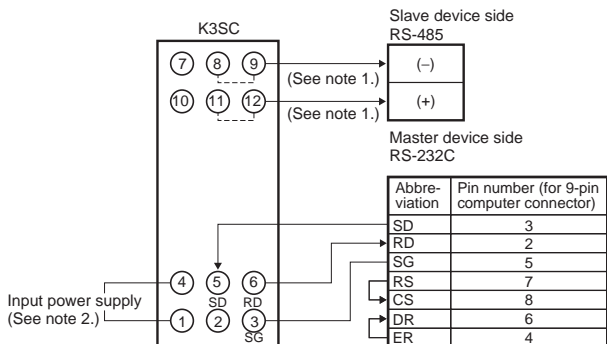
Note: Terminals 2 and 10 are not used.

Internal Configuration (Block Diagram)



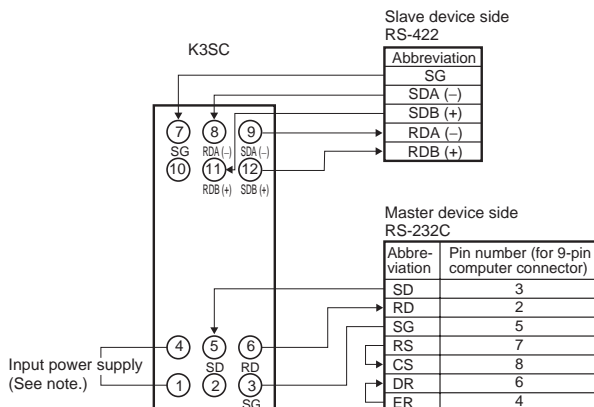
External Connections

RS-485 Connection



- Note:** 1. If RS-485 is selected as the communications method (i.e., pin 9 of the DIP switch is set to OFF), terminals 8 and 9, and terminals 11 and 12 are connected internally.
2. Either a 100 to 240-VAC or 24-VAC/VDC (no polarity) input power supply is used.

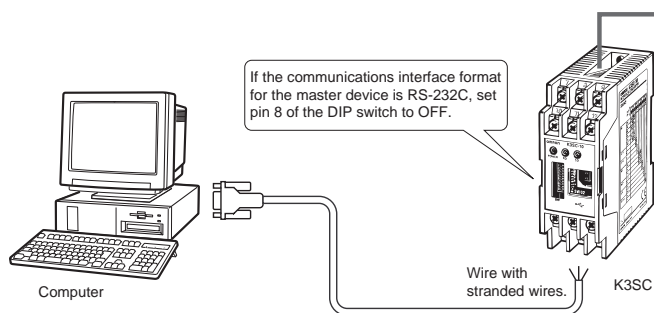
RS-422 Connection



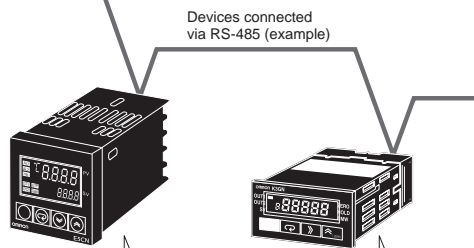
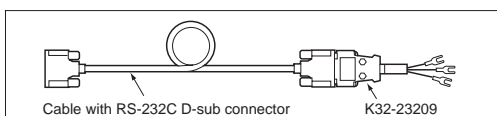
- Note:** Either a 100 to 240-VAC or 24-VAC/VDC (no polarity) input power supply is used.

Connecting an RS-232C or USB Master Device to an RS-422/485 Slave Device

First set the same communications conditions (baud rate, stop bits, data length, and parity) for the master device, the Interface Converter, and slave devices.



Note: To allow connection using a commercially available cable with an RS-232C D-sub connector, a connection adapter (D-sub, 9-pin) is available. (Order separately; model number: K32-23209.)



In addition to the required communications conditions, set the communications number.

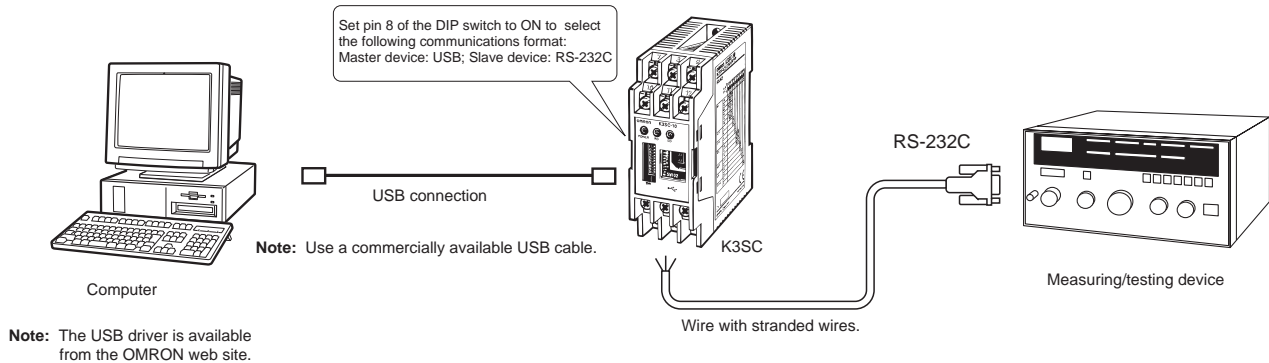
Note: With RS-485 communications, connect a terminating resistance (120 Ω, 1/2 W recommended) to both ends of the communications path.

- Note:** 1. 1-to-N connection via OMRON NT Link communications is not supported.
2. If the communications interface format for the master device is USB, obtain a commercially available USB cable and download the USB driver for the K3SC from the OMRON web site.

Connecting a USB Master Device to an RS-232C Slave Device

First set the same communications conditions (baud rate, stop bits, data length, and parity) for the master device, the Interface Converter, and slave devices.

Note: There is no isolation between the USB and RS-232C sides.



Operation

■ Communications Settings Switch

Use this switch to set the communications conditions for the K3SC to those used by connected devices.

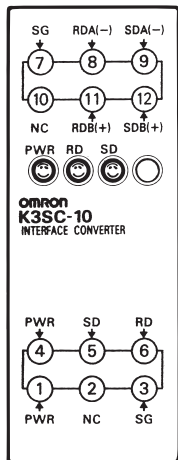
Setting ON↔OFF	Baud rate						Data length		Stop bits		Parity			Configuration			Echoback	
	1,200 bps	2,400 bps	4,800 bps	9,600 bps	19,200 bps	38,400 bps	7	8	2	1	Even	Odd	None	Master : USB	Master: RS-232C or USB (See note.)		OFF (with-out)	ON (with)
1 <input type="checkbox"/>	ON	OFF	ON	OFF	ON	OFF												
2 <input type="checkbox"/>	OFF	ON	ON	OFF	OFF	ON												
3 <input type="checkbox"/>	OFF	OFF	OFF	OFF	ON	ON												
4 <input type="checkbox"/>							OFF	ON										
5 <input type="checkbox"/>									OFF	ON								
6 <input type="checkbox"/>											OFF	ON	OFF					
7 <input type="checkbox"/>											OFF	OFF	ON					
8 <input type="checkbox"/>														ON	OFF			
9 <input type="checkbox"/>														OFF	ON			
0 <input type="checkbox"/>																	OFF	ON

Note: 1. All pins are factory-set to OFF.

2. When using the communications configuration with RS-232C or USB set for the master device and RS-422 or RS-485 set for the slave device, use either RS-232C or USB (but not both) on the master device side.

Nomenclature

Terminal Cover



Note: Cover the terminals to prevent electric shock.

Caution: Be sure to use the K3SC-10 with the terminal cover mounted when using in machinery that must conform to EN/IEC standards.

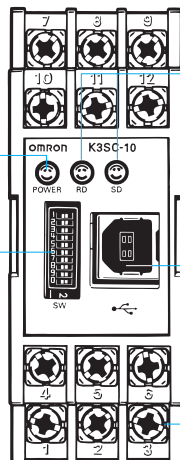
Power Indicator
Lights (green) when power is supplied.

Communications Setting Switch
Used to set the communications conditions for connected devices.

Communications Setting Switch

Switch	Setting
1	Baud rate
2	
3	
4	Data length
5	
6	Parity
7	Parity
8	Master device
9	Slave device
10	Echoback

K3SC without Terminal Cover



Communications Status Indicators
Light (yellow) during communications.

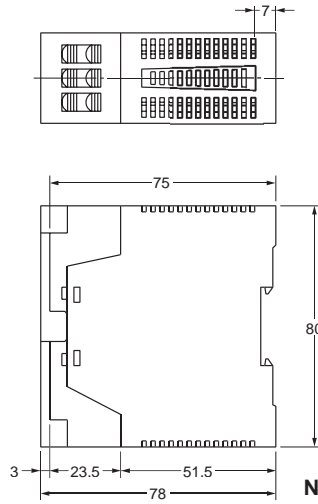
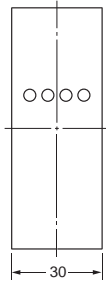
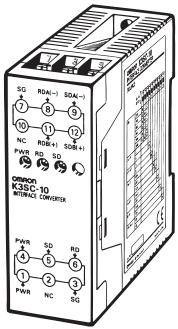
- RS-232C/USB ↔ RS-422/485:
RD: Lights when receiving RS-422/485 communications.
SD: Lights when sending RS-422/485 communications.
- USB ↔ RS-232C:
RD: Lights when receiving RS-232C communications.
SD: Lights when sending RS-232C communications.

USB Port
Port for USB connections. Use this port if the master device is a USB device.

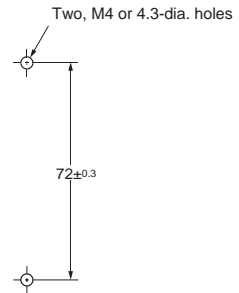
M3.5 Terminal Screw

Dimensions

K3SC-10



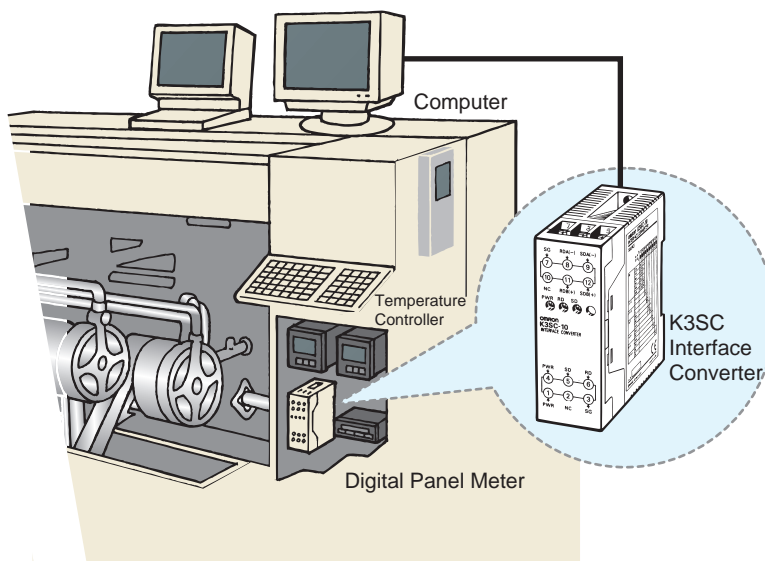
Mounting Hole Dimensions (For Direct Mounting)



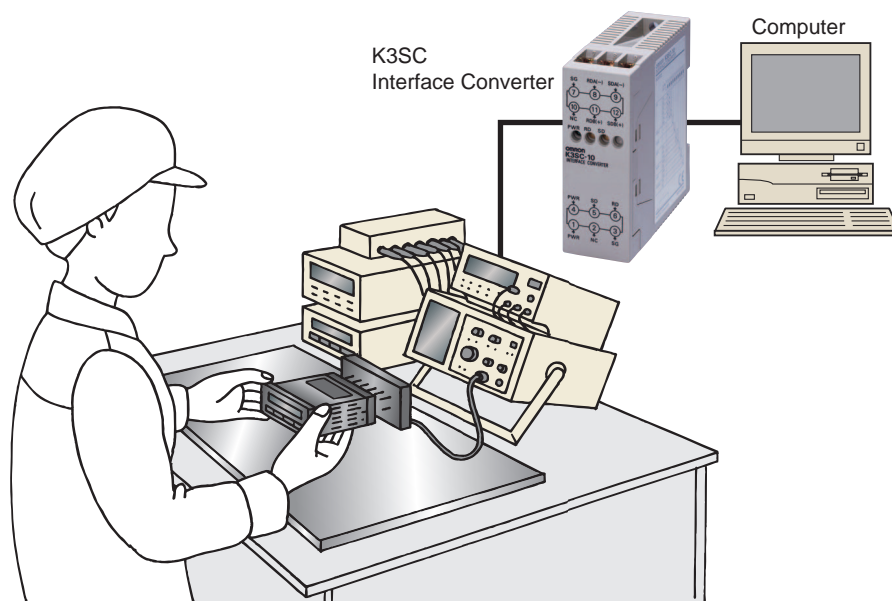
Note: DIN track mounting is also possible.

Application Examples

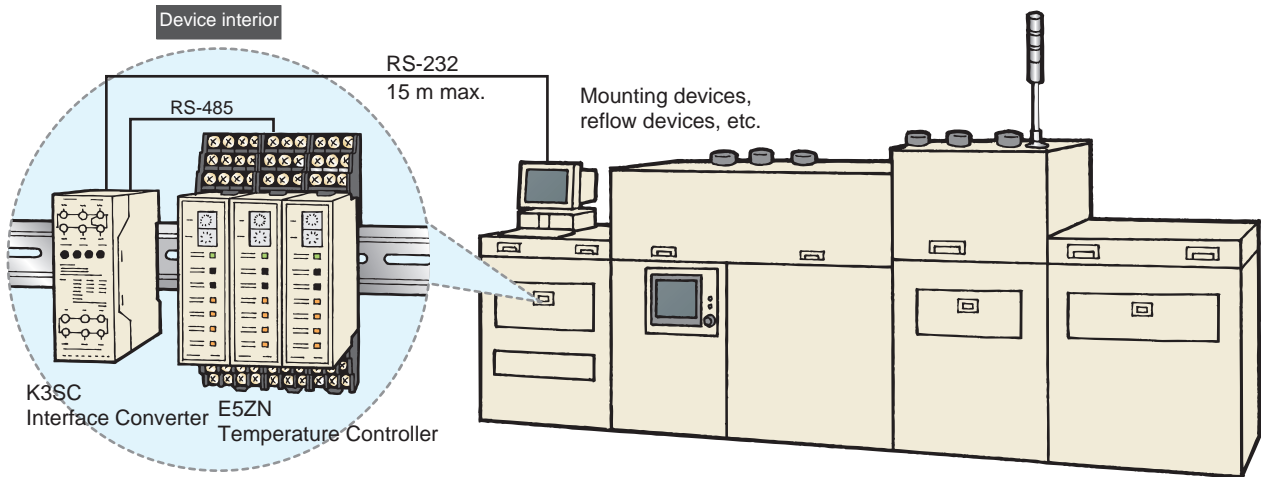
Monitoring and Maintenance of Installations and Equipment




Inspections and Debugging for Communications Equipment




Installation Temperature Control with a Computer




Precautions

—  **Caution** —

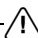
Do not touch any of the terminals while power is being supplied. Doing so may result in electric shock.

—  **Caution** —

Do not allow metal objects or wire cuttings to enter the product. Doing so may result in electric shock, fire, or malfunction.

—  **Caution** —

Do not attempt to disassemble, repair, or modify the product. Any attempt to do so may result in malfunction, fire, or electric shock.

—  **Caution** —

Be sure to tighten the terminal screws to the specified torque. Loose screws may result in burning or malfunction. The recommended tightening torque is 0.78 N·m.

General Precautions

Do not mount the product in the following places:

- Locations subject to shock or vibration
- Outdoor locations or locations subject to direct sunlight, wind, or rain.
- Locations subject to temperatures or humidity outside the specified ranges
- Locations subject to condensation or icing
- Locations subject to large amounts of dust
- Locations subject to flammable gases or objects
- Locations subject to corrosive gases (in particular sulfide or ammonia gases)

Be sure to check power supply specifications, terminal numbers, and polarities before performing wiring.

Turn OFF the power supply before performing installation or wiring.

Turn OFF the power supply before removing the terminal cover.

Do not connect anything to unused terminals.

Correct Use

Perform wiring with crimp terminals that are suitable for M3.5 screws.

Install the product as far away as possible from devices that generate strong high-frequency noise (e.g., high-frequency welders) or surges.

Do not pull on the USB cable. Doing so may cause the cable to come loose.

ALL DIMENSIONS SHOWN ARE IN MILLIMETERS.

To convert millimeters into inches, multiply by 0.03937. To convert grams into ounces, multiply by 0.03527.

Cat. No. N104-E1-03 In the interest of product improvement, specifications are subject to change without notice.

OMRON Corporation

Industrial Automation Company

Measuring and Control Division

Shiokoji Horikawa, Shimogyo-ku,

Kyoto, 600-8530 Japan

Tel: (81)75-344-7080/Fax: (81)75-344-7189

Printed in Japan
1202-1M (1202) (A)