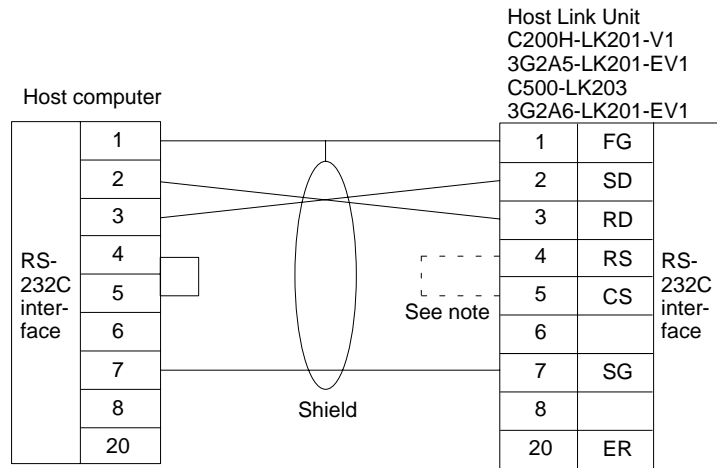


**1:1 Connection of Host Computer and Host Link Unit**

The following diagram shows a 1:1 connection of a host computer and a Host Link Unit (C200H-LK202-V1, 3G2A5-LK201-EV1, C500-LK203, or 3G2A6-LK202-EV1).

**Wiring Example**

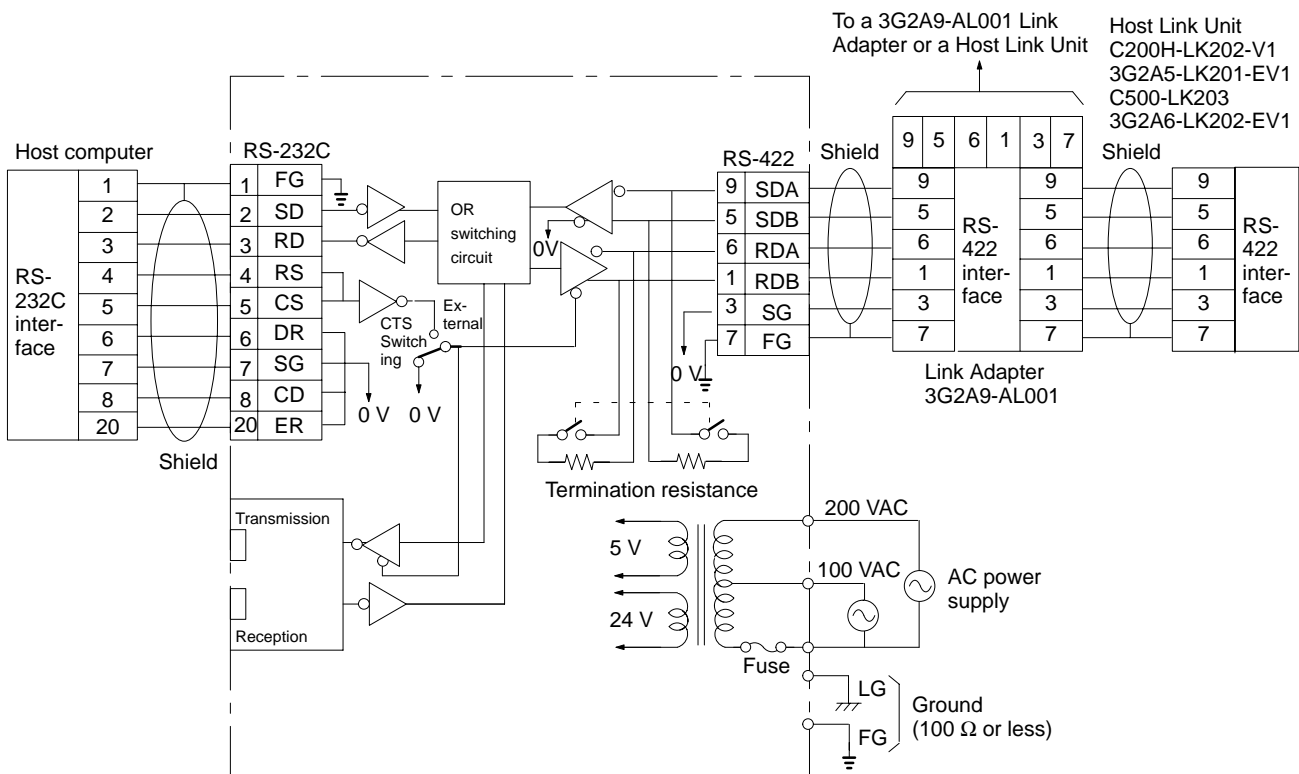


**Note** It is not necessary to connect the RS and CS signals if the CTS switch on the back of the Host Link Unit is set to 0 V. Set the I/O port switch on the back of 3G2A5-LK201-EV1/C500-LK203 Host Link Units to “RS-232C.”

**1:N Connection of Host Computer and Host Link Unit**

Set to 0 V when the CTS (Clear-To-Send) signal will usually be ON. Set to External when the signal is received externally. This switch is normally set to 0 V.

**Wiring Example**




**Note** Set the I/O port switch on the back of 3G2A5-LK201-EV1/C500-LK203 Host Link Units to “RS-422.”

Be sure to use a wire of at least 1.25 mm<sup>2</sup> in thickness.

Use M4 screws for tightening crimp terminals.

Use ring crimp terminals for wiring. Do not connect bare stranded wires directly to terminal blocks.

 **Caution** Tighten the screws on the terminal block of the AC Power Supply Unit to a torque of 1.2 N·m. The loose screws may result in burning or malfunction.