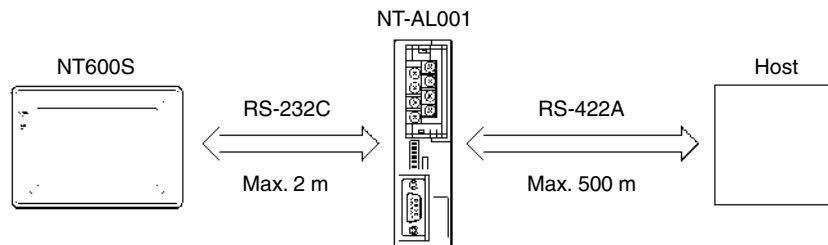


Connecting an NT600S to an RS-232C/RS-422 Converter Unit (NT-AL001)

Connecting to an RS-232C/RS-422 converter unit allows transmissions over distances greater than 15 m (maximum of 500 m).

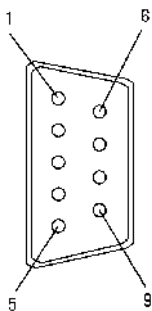


Reference When connecting a C200HX/HG/HE and an RS-232C/RS-422 converter unit, use a converter unit whose lot number is 15Y5 or later. Converter units of lot numbers previous to 15Y5 cannot be connected.

- NT-AL001 RS-232C Connector Specifications (9-pin Type)

Electrical characteristics: Conform to EIA RS-232C

Signal direction: Signal input and output is relative to the NT-AL001.



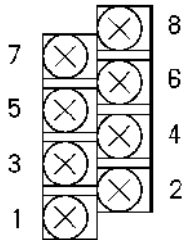
Connector Pin No.	Signal Name	Abbreviation	Signal Direction	
			Input	Output
Connector cover	Grounding or earth for safety purposes	FG	—	—
2	Send data	SD (TxD)		○
3	Receive data	RD (RxD)	○	
4	Request to send	RS (RTS)		○
5	Clear to send	CS (CTS)	○	
6	+5V input	+5V	○	
9	Signal ground	SG (GND)	—	—

NT-AL001 RS-422A terminal block specifications

Connected terminal block: RS-422A terminal block (M3 screws)

Electrical characteristics: Conform to EIA RS-422A

Signal direction: Signal input and output is relative to the NT-AL001.



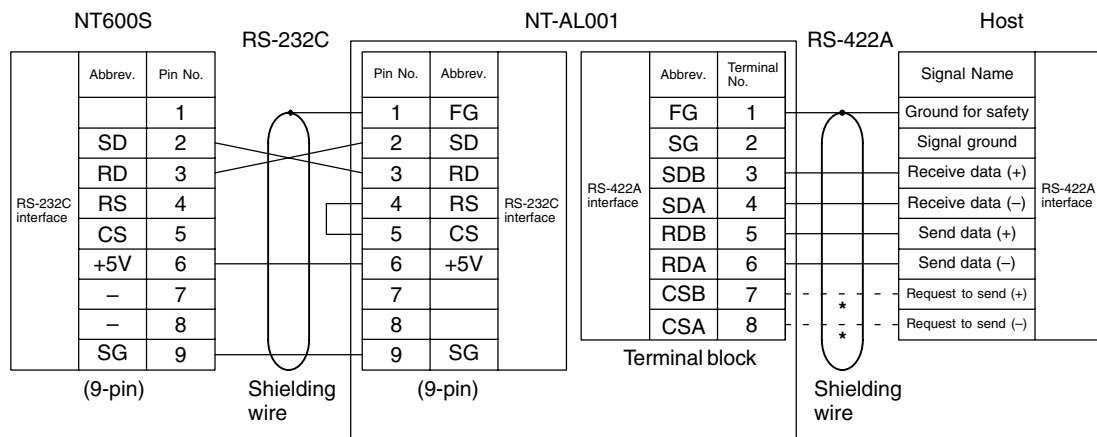
Terminal Block Pin No.	Signal Name	Abbreviation	Signal Direction	
			Input	Output
8	Request to send (-)	CSA		○
7	Request to send (+)	CSB		○
6	Receive data (-)	RDA	○	
5	Receive data (+)	RDB	○	
4	Send data (-)	SDA		○
3	Send data (+)	SDB		○
2	Signal ground	SG (GND)	-	-
1	Functional ground	FG	-	-

Note

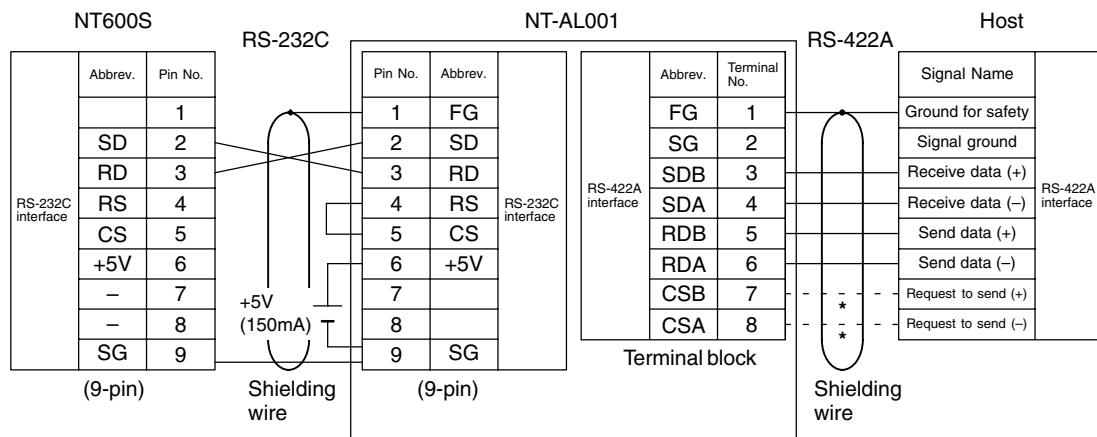
The CSB and CSA signals are for special applications.

Wiring

[For NT600S-ST211(B)-V□]



[For NT600S-ST121(B)-V□]



(*) CSB and CSA are connected when the NT600S requires RS/CS control for the host control method.